

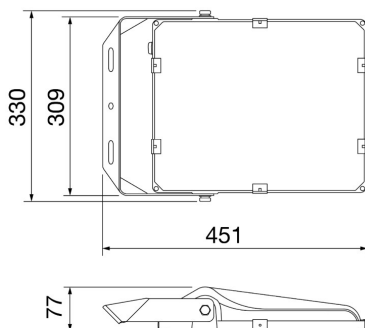
ELIA FL - Floodlight LED



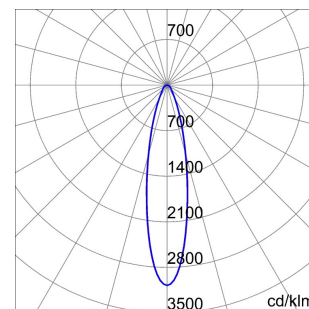
ELIA FL is a LED outdoor floodlight available in low, medium and high power versions for lighting external industrial areas, such as car parks and walkways or driveways. It can be mounted on surfaces, ceilings or on the ground using the adjustable steel bracket supplied with the device, or in the pole head version, courtesy of the dedicated accessory for poles with a diameter of up to 61mm. Crafted from black powder-coated die-cast aluminium, it is available in four sizes and powers, with integrated power supply in the On/Off or DALI options, three types of optic (30°, 60° and asymmetrical) with a colour temperature of 4,000K (neutral white) and a colour rendering index of more than 80. Tough and durable, ELIA FL has been designed to withstand surges of up to 10KV and temperature variations from -30 °C to + 50 °C, and offers protection from water and dust penetration of up to level IP66 and from shocks and impacts of up to level IK08. ELIA FL is quick and easy to install thanks to its limited weight and adjustable bracket.

GENERAL INFORMATION		OPTIC AND ILLUMINATING FEATURES	
Context	Industry, Logistic, Façade, Sport	Óptica	30°
Luminaire	LED luminaire with small, mid and high lumen power	Unified Glare Rating	ULOR = 0%
Aplicação	Interior/Exterior	Lúmen saída (lm)	19900
Unique digital code (Datamatrix)	Currently not present	Efficiency (lm/W)	133
Cor	Preto	Temperatura de cor	4000 K
Tipo de fonte luminosa	LED - Não substituível	Color Rendering Index	CRI 80
Potência de sistema	150 W	Standard Deviation Colour Matching	SDCM = 5
LED Lifetime	L80B50 (Tq25°) = 89.000h	Photobiological Risk Class	RG0
Peso (kg)	4.5	Norma	-
Garantia	5 anos	ELETRICAL AND LIGHTING FEATURES	
Temperatura de armazenagem	-40° +85°	Tensão de alimentação	100-240 V
Operating temperature	-30° +50°	Frequência nominal (Hz)	50 / 60
MATERIALS		Driver	Included
Body	Injeção de alumínio	Driver failure rate	F10 = 50.000h Tq25°C
Vidro	Flat silked tempered glass 4mm thick with Gewiss logo	Overvoltage protection	Overvoltage protection 10-6kV
Optic	With high efficiency optic system	Control System	ON OFF
Gasket	-	INSTALLATION AND MAINTENANCE	
Locking Hook	-	Mouting and installation	Ceiling - Wall - Floor
External screw	Aço inoxidável	Tilt	With adjustable bracket assembled
Colour	Powder coating	Wiring	With power cable
Fixação	-	Fixação	-
STANDARDS AND APPROVALS		Light souce replaceability	Not available
Classificação	-	Controlgear replaceability	Not available
Aparelho com reduzida temperatura superficial	-	Driver Box	Integrado
Certificação DIN 18032-3	-	Superfície máxima exposta ao vento	0,12 m²
IPEA	-		
Classe isolamento	I		
Grau de protecção	IP66		
Resistên. golpes	IK08		
Glow Wire Test	750 °C		

DIMENSIONAL



PHOTOMETRIC DISTRIBUTION



TECHNICAL SYMBOLOGY



0,12 m²



IP

IP66

IK

IK08

GWT

750 °C

ELIA FL - Floodlight LED

STANDARDS/APPROVALS

