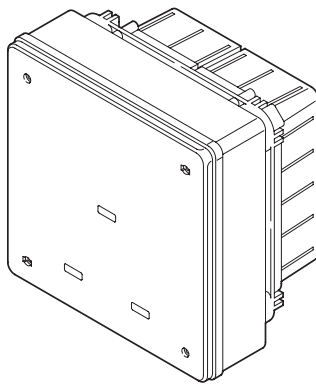
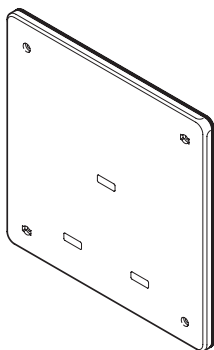


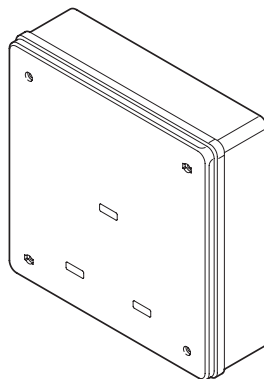
GW 48 207
GW 48 211



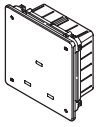
GW 48 227
GW 48 231



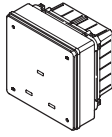
GW 48 247
GW 48 251



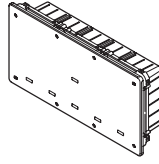
GW 48 267
GW 48 271



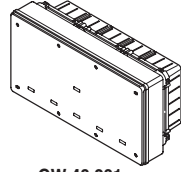
GW 48 207



GW 48 227

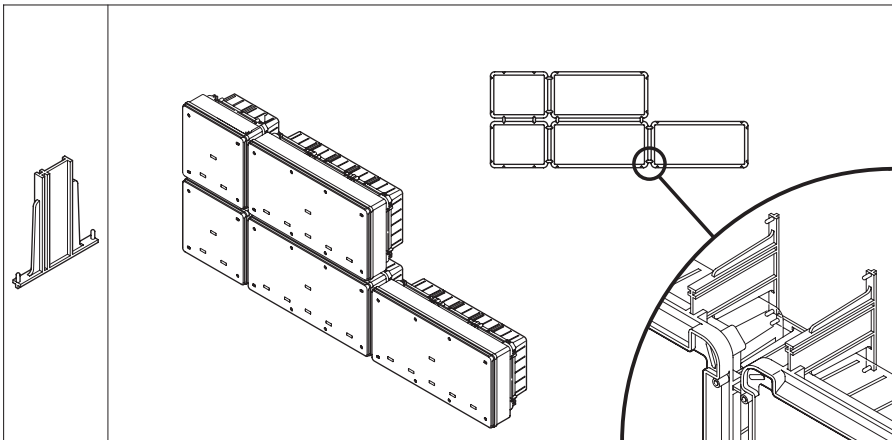
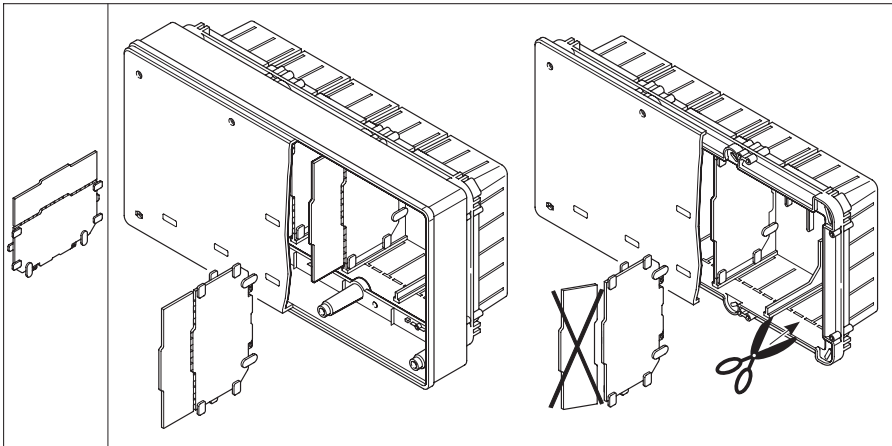


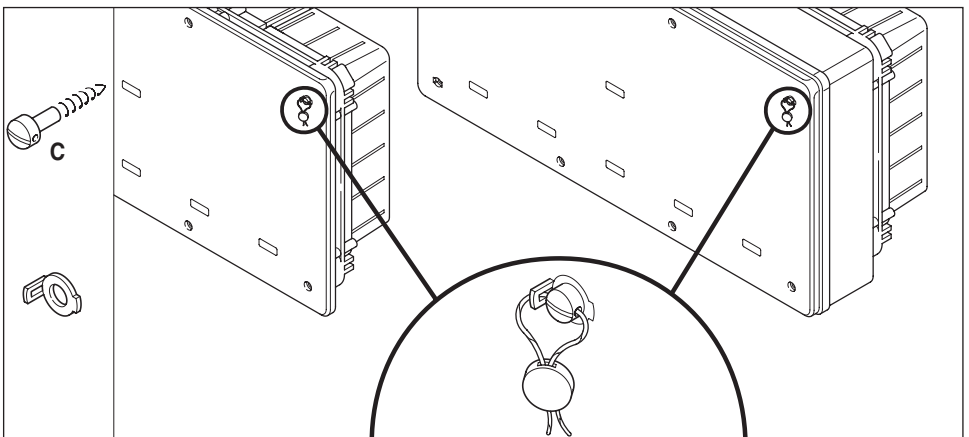
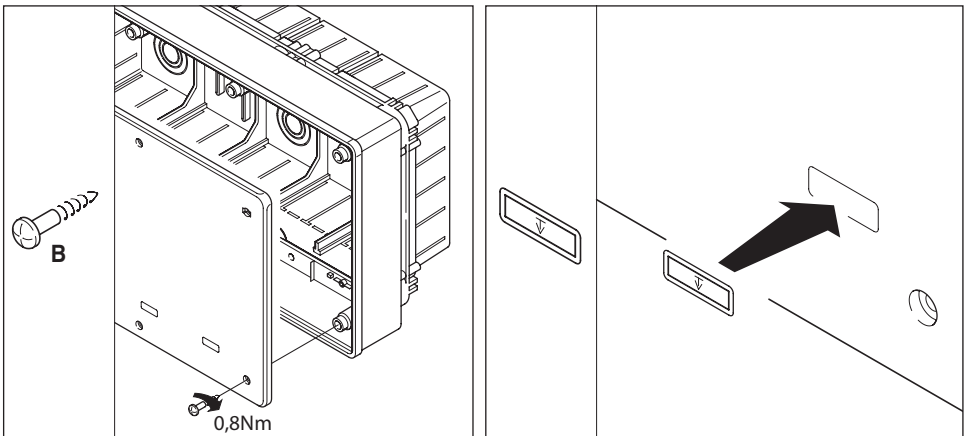
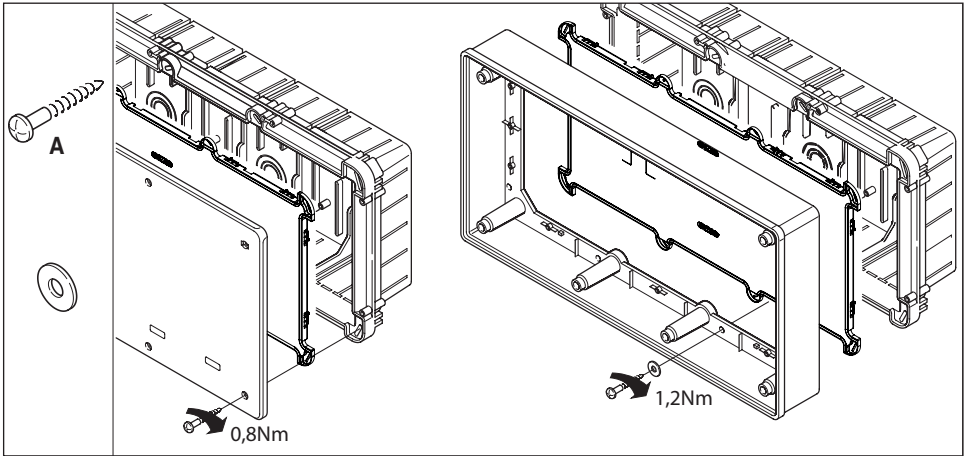
GW 48 211

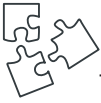


GW 48 231

GW 48 207	1	2	4	—	—	2	2	6
GW 48 227	1	2	4	4	4	2	2	6
GW 48 211	4	2	8	—	—	2	2	6
GW 48 231	4	2	8	8	8	2	2	6







ST 2,9x9,5
(EN ISO 7049)

L max

	L max (mm)	Pde max (1)	Pde max (2)
GW48207	200	13W	11W
GW48227	200	13W	11W
GW48211	460	30W	27W
GW48231	460	30W	27W






TH 35-7,5
(EN 60715)

3,5

7,5

IP44

GW 48 247 GW 48 267 GW 48 251 GW 48 271

	 B		 C		
GW 48 247	—	—	2	2	6
GW 48 267	2	4	2	2	6
GW 48 251	—	—	2	2	6
GW 48 271	6	8	2	2	6

~~IP44~~

IP44 ✓

Punto di contatto indicato in adempimento ai fini delle direttive e regolamenti UE applicabili:
 Contact details according to the relevant European Directives and Regulations:
 GEWISS S.p.A. Via D.Bosatelli, 1 IT-24069 Cenate Sotto (BG) Italy tel: +39 035 946 111 E-mail: qualitymarks@gewiss.com

According to applicable UK regulations, the company responsible for placing the goods in UK market is:
 GEWISS UK LTD - Unity House, Compass Point Business Park, 9 Stocks Bridge Way, ST IVES
 Cambridgeshire, PE27 5JL, United Kingdom tel: +44 1954 712757 E-mail: gewiss-uk@gewiss.com



+39 035 946 111
 8:30 - 12:30 / 14:00 - 18:00
 lunedì - venerdì / monday - friday



www.gewiss.com

