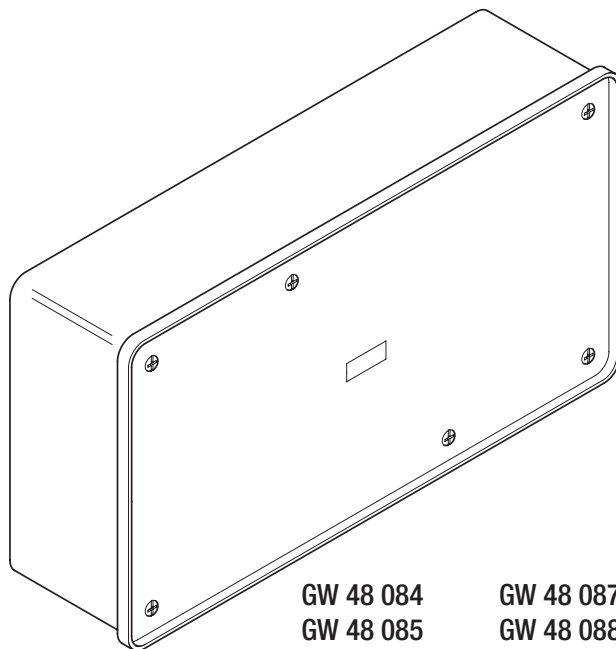


48 PT

GEWISS



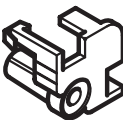
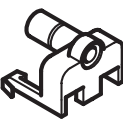
IP40 CE

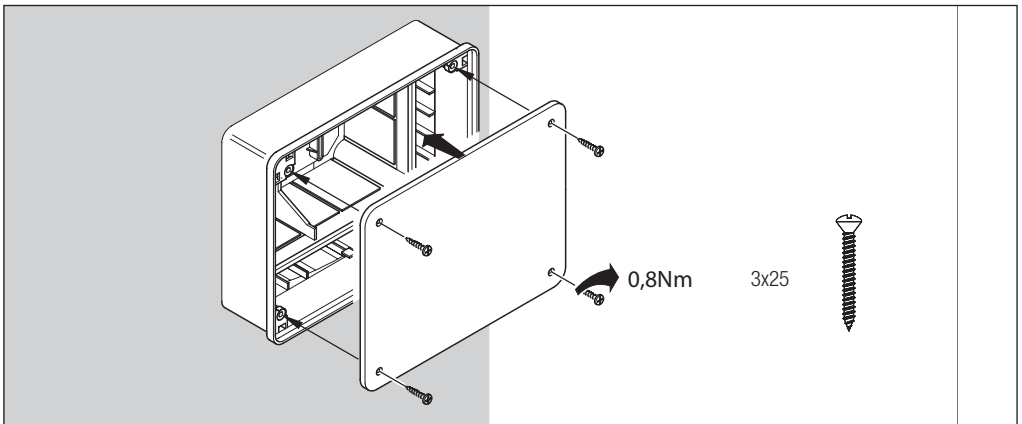
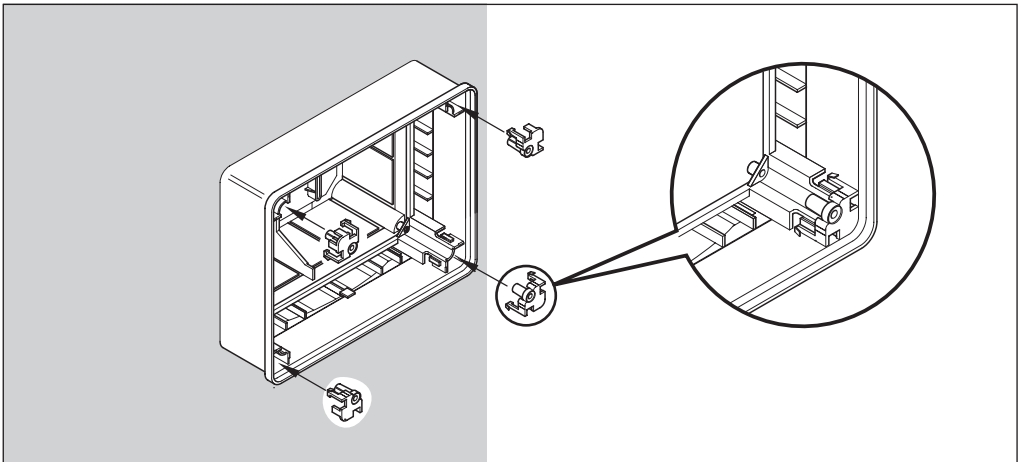
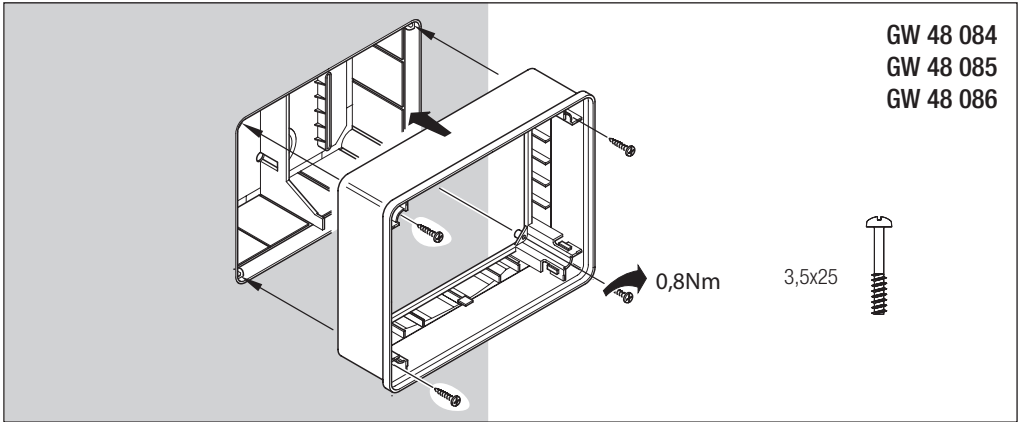


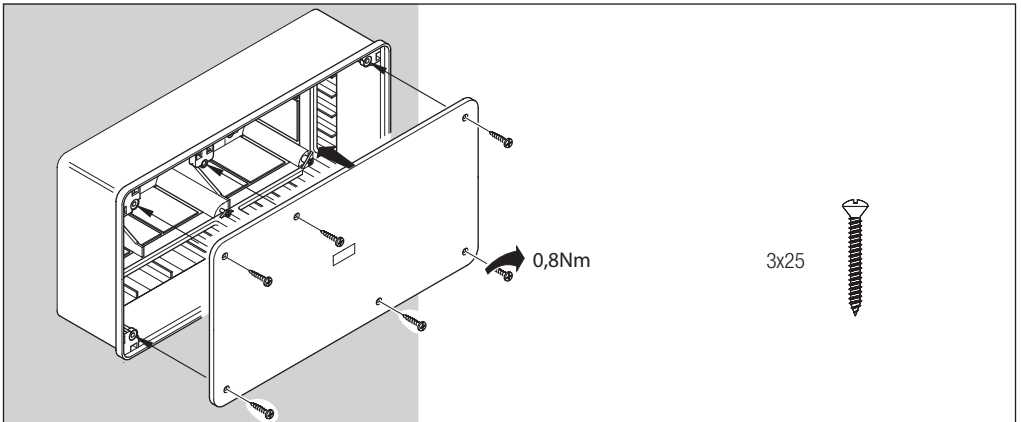
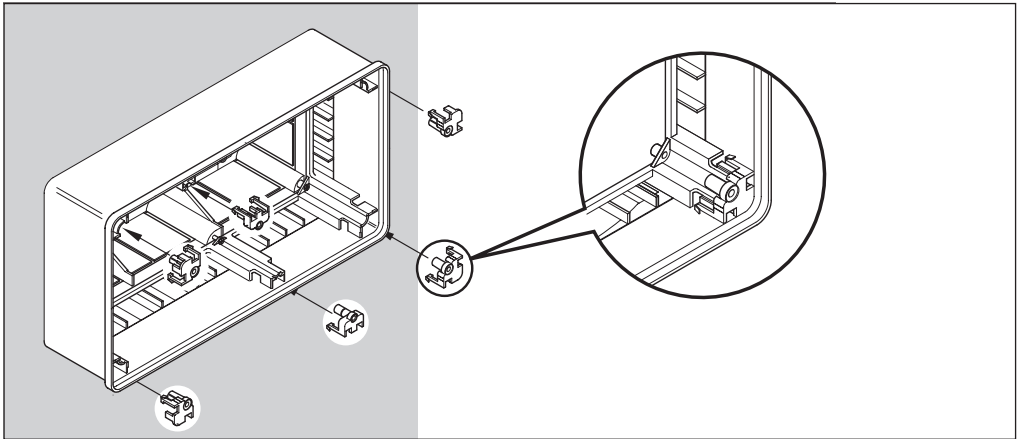
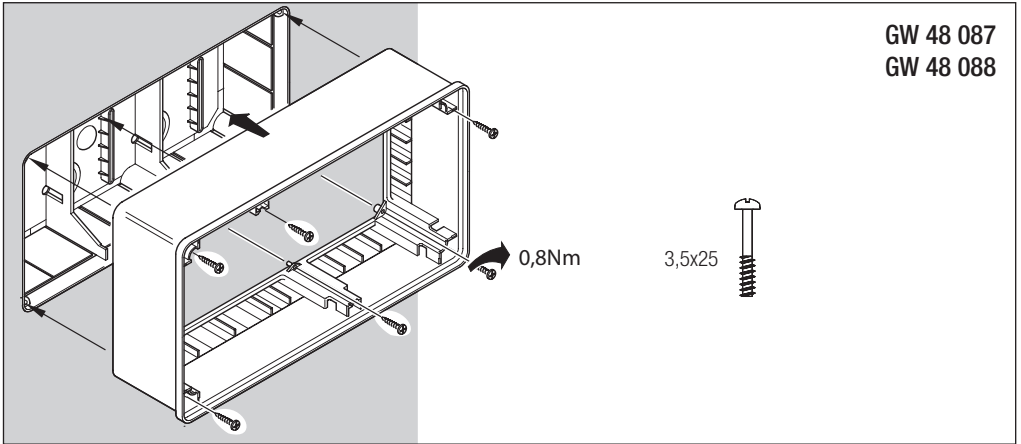
GW 48 084
GW 48 085
GW 48 086

GW 48 087
GW 48 088



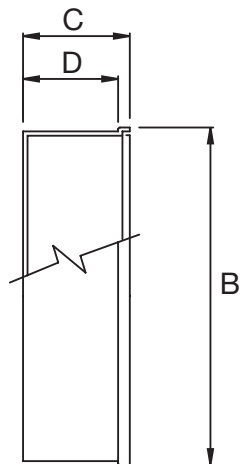
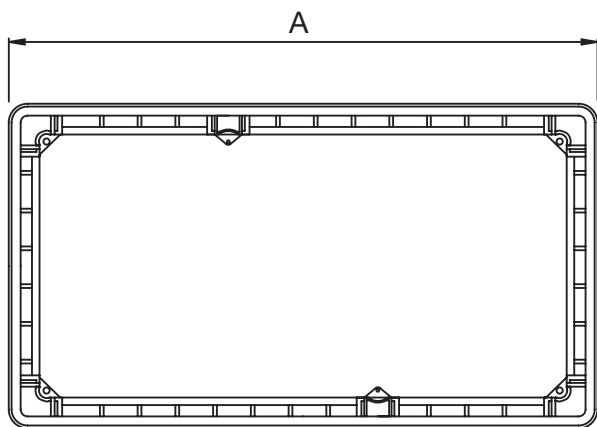
				
GW 48 084	4	4	4	-
GW 48 085	4	4	4	-
GW 48 086	4	4	4	-
GW 48 087	6	6	4	2
GW 48 088	6	6	4	2







76513985



	A	B	C	D
GW 48 084	171	117	56	49
GW 48 085	179	149	56	49
GW 48 086	215	171	56	49
GW 48 087	313	171	73	66
GW 48 088	411	171	73	66

Punto di contatto indicato in adempimento ai fini delle direttive e regolamenti UE applicabili:

Contact details according to the relevant European Directives and Regulations:

GEWISS S.p.A. Via D.Bosattelli, 1 IT-24069 Cenate Sotto (BG) Italy tel: +39 035 946 111 E-mail: qualitymarks@gewiss.com

According to applicable UK regulations, the company responsible for placing the goods in UK market is:

GEWISS UK LTD - Unity House, Compass Point Business Park, 9 Stocks Bridge Way, ST IVES
Cambridgeshire, PE27 5JL, United Kingdom tel: +44 1954 712757 E-mail: gewiss-uk@gewiss.com



+39 035 946 111

8:30 - 12:30 / 14:00 - 18:00
lunedì - venerdì / monday - friday



www.gewiss.com



ULTIMA REVISIONE 05/2024