

MODULAR DISTRIBUTION BOARDS UP TO 630A - IP43

Technical data

| CVX 630K | |
|--|---|
| Electrical characteristics | Mechanical characteristics |
| Standards: EN 61439-1 and EN 61439-2, EN 62208 | Degree of protection: IP 30 without door |
| Rated current (In): up to 630 A | IP40 with glass/blank door |
| Rated operational voltage (Ue): up to 690V AC | IP43 with glass/blank door and IP43 kit |
| Rated insulation voltage (Ui): up to 1000V AC | Impact resistance: IK 07 for glass door |
| Rated impulse withstand voltage (Uimp): 8 kV 1.2/50 μ s | IK 10 for metal casing and front panels |
| Rated conditioned short-circuit current (Icc): 36 kA | Operating temperature: -5°C - 40°C |
| Rated peak withstand current (Ipk): 73 kA | Storage temperature: -25°C - 55°C |
| Rated short-time withstand current (Icw): 35 kA (1s) | Sheet steel casing and functional uprights: 15/10mm thick |
| Protection against indirect contact: metal casing prearranged for earth connection | Sheet steel panels: 12/10mm thick |
| | Sheet steel door: 15/10mm thick |
| | Back-mounting plates and kit for MCCB plates in hot galvanised sheet metal: 20/10mm thick |
| | Sheet metal painted with colour Grey RAL 7035 epoxy-polyester powder |

FUNCTIONAL CHARACTERISTICS

| | |
|--|--|
| Type of installation: indoors | Base (height 100mm) palletizable by removing the front and rear panels |
| Capacity: 24/36 EN 50022 modules per row | Structures can be lined up using the provided kit |
| Top and bottom cable entry through metal cable gland plates | Structure can be wall-mounted using brackets |
| Internal functional uprights with 25mm pitch drilled for the assembly of the equipment installation kits | Earthing by contact of metal parts |
| Pre-arrangement for assembly of internal compartment in board at width 850mm | Door assembly with reversible opening (right or left side) |

Dispersible powers

CVX 630 K - IP 30 distribution boards

| Overtemperature Δt (°C) | Single board exposed on all sides | | | | Single distribution board surface-mounted | | | | Single board with corner walls, or first/last combined board | | | | Single distribution board placed in niche or central board surface-mounted | | | |
|---|-----------------------------------|-----|-----|-----|---|-----|-----|-----|--|-----|-----|-----|--|-----|-----|-----|
| | 25 | 30 | 35 | 40 | 25 | 30 | 35 | 40 | 25 | 30 | 35 | 40 | 25 | 30 | 35 | 40 |
| L (mm) | Maximum dispersible power (W) | | | | | | | | | | | | | | | |
| H=1000m (surface-mounting board) | | | | | | | | | | | | | | | | |
| 600 | - | - | - | - | 122 | 157 | 195 | 233 | 117 | 149 | 186 | 222 | 114 | 145 | 181 | 217 |
| 850 | - | - | - | - | 146 | 194 | 235 | 291 | 141 | 187 | 227 | 281 | 139 | 184 | 224 | 277 |
| H=1200m (surface-mounting board) | | | | | | | | | | | | | | | | |
| 600 | - | - | - | - | 136 | 174 | 217 | 259 | 131 | 167 | 209 | 249 | 128 | 163 | 204 | 244 |
| 850 | - | - | - | - | 178 | 224 | 275 | 330 | 172 | 217 | 266 | 320 | 167 | 210 | 257 | 309 |
| H=1600mm (floor-mounting board) | | | | | | | | | | | | | | | | |
| 600 | 234 | 299 | 373 | 445 | 188 | 241 | 300 | 358 | 179 | 229 | 286 | 341 | 172 | 220 | 274 | 327 |
| 850 | 273 | 345 | 434 | 523 | 224 | 282 | 356 | 428 | 217 | 273 | 345 | 415 | 211 | 267 | 336 | 405 |
| H=1800mm (floor-mounting board) | | | | | | | | | | | | | | | | |
| 600 | 267 | 342 | 427 | 500 | 219 | 281 | 350 | 410 | 205 | 263 | 327 | 384 | 196 | 250 | 312 | 366 |
| 850 | 295 | 372 | 463 | 552 | 246 | 310 | 387 | 461 | 236 | 297 | 371 | 442 | 229 | 289 | 360 | 429 |
| H=2000mm (floor-mounting board) | | | | | | | | | | | | | | | | |
| 600 | 299 | 369 | 477 | 555 | 247 | 305 | 393 | 458 | 236 | 292 | 377 | 438 | 224 | 276 | 357 | 415 |
| 850 | 306 | 388 | 487 | 586 | 257 | 326 | 409 | 492 | 249 | 316 | 396 | 476 | 245 | 310 | 389 | 468 |

For technical information contact the Technical Assistance Service or visit [gewiss.com](http://www.gewiss.com)

MODULAR DISTRIBUTION BOARDS UP TO 630A - IP43

CVX 630 K - IP 40 distribution boards

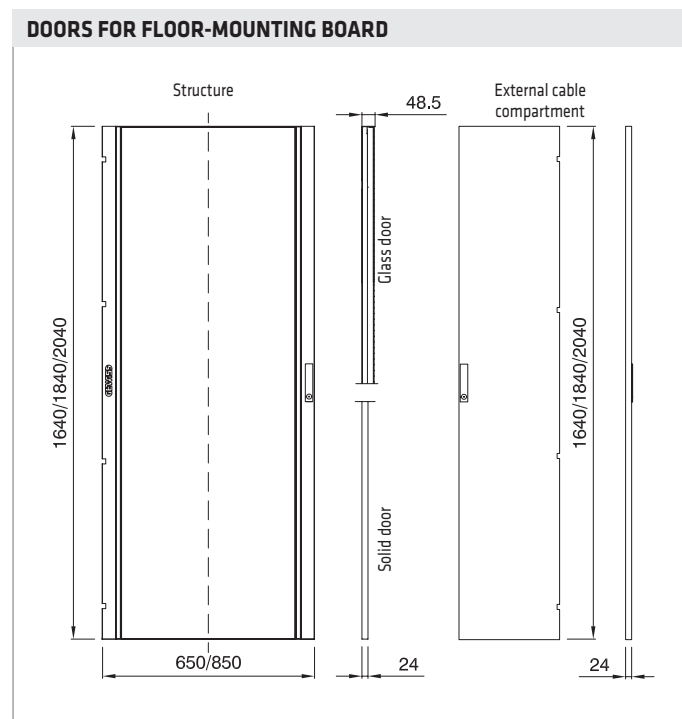
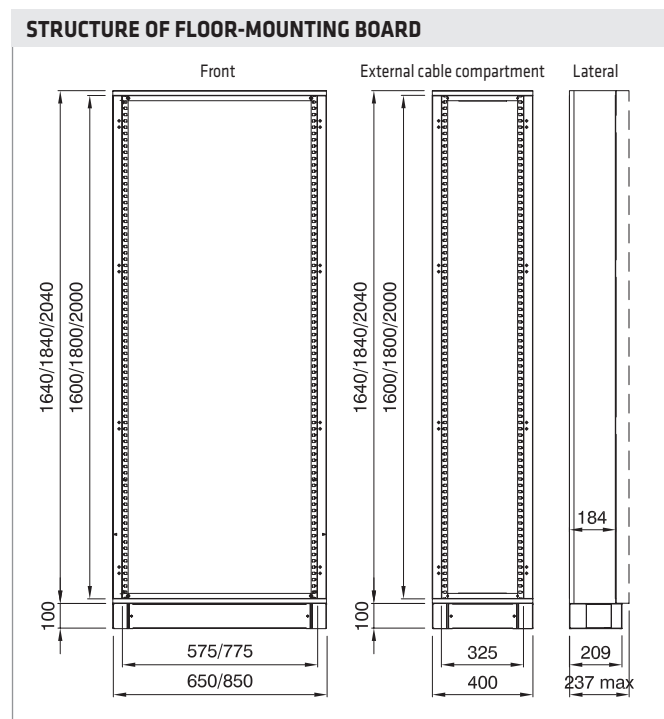
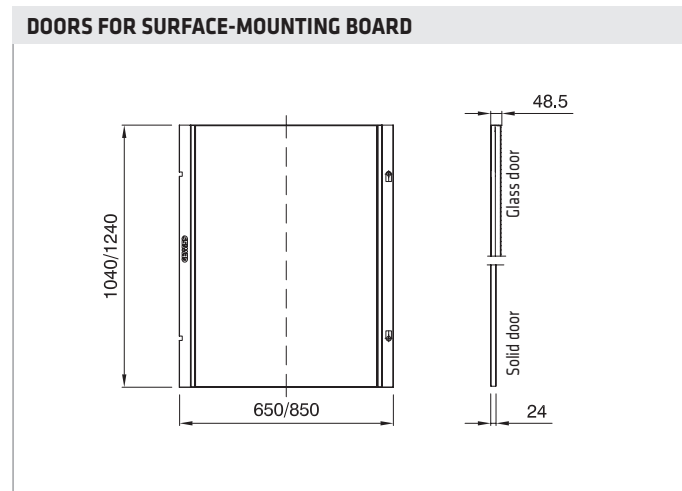
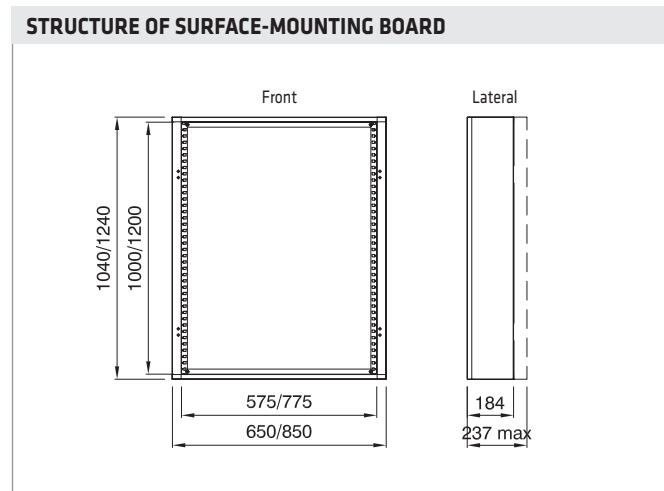
| | 25 | 30 | 35 | 40 | 25 | 30 | 35 | 40 | 25 | 30 | 35 | 40 | 25 | 30 | 35 | 40 |
|---|-------------------------------|-----|-----|-----|-----|-----|-----|-----|-----|-----|-----|-----|-----|-----|-----|-----|
| Overtemperature Δt (°C) | | | | | | | | | | | | | | | | |
| L (mm) | Maximum dispersible power (W) | | | | | | | | | | | | | | | |
| H=1000m (surface-mounting board) | | | | | | | | | | | | | | | | |
| 600 | - | - | - | - | 96 | 123 | 143 | 167 | 91 | 118 | 136 | 159 | 89 | 115 | 132 | 155 |
| 850 | - | - | - | - | 107 | 138 | 177 | 211 | 105 | 137 | 175 | 209 | 104 | 136 | 174 | 207 |
| H=1200m (surface-mounting board) | | | | | | | | | | | | | | | | |
| 600 | - | - | - | - | 112 | 137 | 163 | 193 | 108 | 131 | 157 | 185 | 105 | 128 | 153 | 181 |
| 850 | - | - | - | - | 121 | 160 | 205 | 243 | 119 | 158 | 204 | 241 | 118 | 157 | 203 | 239 |
| H=1600mm (floor-mounting board) | | | | | | | | | | | | | | | | |
| 600 | 169 | 220 | 261 | 312 | 136 | 177 | 210 | 251 | 130 | 169 | 200 | 239 | 124 | 162 | 192 | 229 |
| 850 | 194 | 238 | 313 | 371 | 159 | 195 | 256 | 304 | 156 | 191 | 255 | 303 | 155 | 188 | 251 | 299 |
| H=1800mm (floor-mounting board) | | | | | | | | | | | | | | | | |
| 600 | 176 | 231 | 277 | 324 | 145 | 189 | 227 | 266 | 135 | 177 | 213 | 249 | 129 | 169 | 203 | 237 |
| 850 | 205 | 250 | 321 | 387 | 171 | 209 | 268 | 323 | 167 | 207 | 267 | 321 | 166 | 205 | 265 | 318 |
| H=2000mm (floor-mounting board) | | | | | | | | | | | | | | | | |
| 600 | 194 | 255 | 299 | 340 | 160 | 211 | 247 | 280 | 153 | 202 | 237 | 268 | 145 | 191 | 224 | 254 |
| 850 | 214 | 271 | 335 | 396 | 180 | 228 | 281 | 333 | 179 | 225 | 278 | 331 | 176 | 223 | 276 | 329 |

CVX 630 K - IP 43 distribution boards

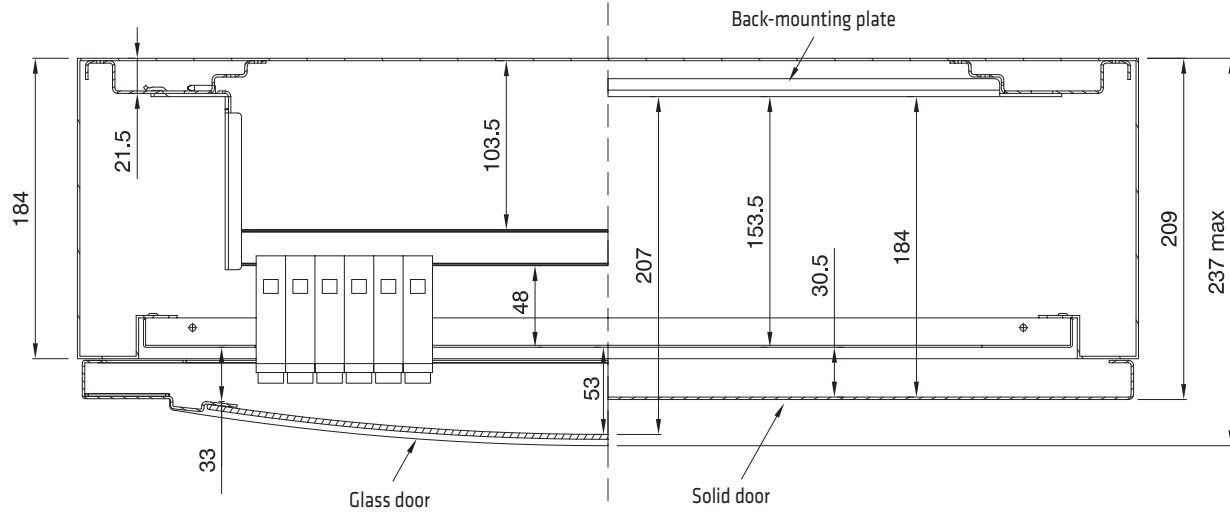
| | 25 | 30 | 35 | 40 | 25 | 30 | 35 | 40 | 25 | 30 | 35 | 40 | 25 | 30 | 35 | 40 |
|---|-------------------------------|-----|-----|-----|-----|-----|-----|-----|-----|-----|-----|-----|-----|-----|-----|-----|
| Overtemperature Δt (°C) | | | | | | | | | | | | | | | | |
| L (mm) | Maximum dispersible power (W) | | | | | | | | | | | | | | | |
| H=1000m (surface-mounting board) | | | | | | | | | | | | | | | | |
| 600 | - | - | - | - | 93 | 120 | 137 | 158 | 89 | 114 | 131 | 151 | 86 | 111 | 127 | 147 |
| 850 | - | - | - | - | 99 | 125 | 156 | 184 | 97 | 123 | 154 | 182 | 96 | 122 | 153 | 180 |
| H=1200m (surface-mounting board) | | | | | | | | | | | | | | | | |
| 600 | - | - | - | - | 109 | 133 | 157 | 183 | 105 | 128 | 151 | 176 | 102 | 125 | 148 | 172 |
| 850 | - | - | - | - | 112 | 146 | 181 | 211 | 110 | 144 | 180 | 210 | 109 | 142 | 179 | 208 |
| H=1600mm (floor-mounting board) | | | | | | | | | | | | | | | | |
| 600 | 165 | 213 | 251 | 295 | 132 | 172 | 202 | 238 | 126 | 163 | 193 | 227 | 121 | 157 | 185 | 217 |
| 850 | 180 | 217 | 276 | 323 | 147 | 177 | 226 | 265 | 145 | 174 | 225 | 263 | 144 | 186 | 221 | 260 |
| H=1800mm (floor-mounting board) | | | | | | | | | | | | | | | | |
| 600 | 172 | 224 | 267 | 307 | 141 | 184 | 219 | 252 | 132 | 172 | 205 | 236 | 126 | 164 | 195 | 225 |
| 850 | 189 | 228 | 283 | 336 | 158 | 190 | 237 | 281 | 155 | 188 | 235 | 279 | 154 | 186 | 233 | 277 |
| H=2000mm (floor-mounting board) | | | | | | | | | | | | | | | | |
| 600 | 189 | 243 | 288 | 322 | 156 | 205 | 238 | 266 | 149 | 196 | 228 | 254 | 141 | 185 | 216 | 241 |
| 850 | 198 | 247 | 295 | 345 | 166 | 207 | 248 | 290 | 165 | 205 | 245 | 288 | 163 | 203 | 243 | 286 |

Dispersible powers obtained via laboratory tests carried out according to the method described in paragraph 10.10.4.2 of Standard EN 61439-1 and subsequently verified according to paragraph 10.10.4.3 of the same Standard.

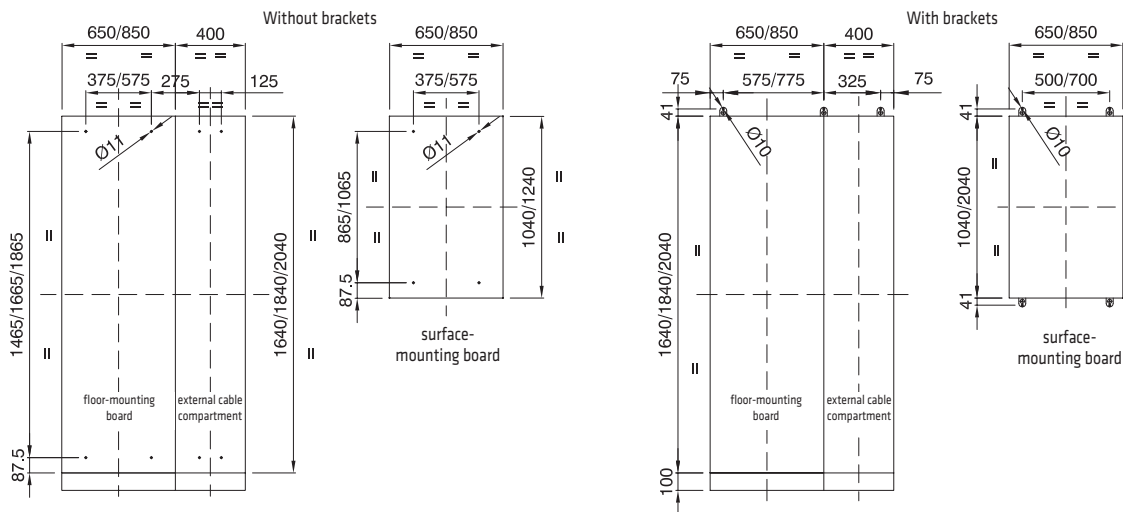
Dimension tables



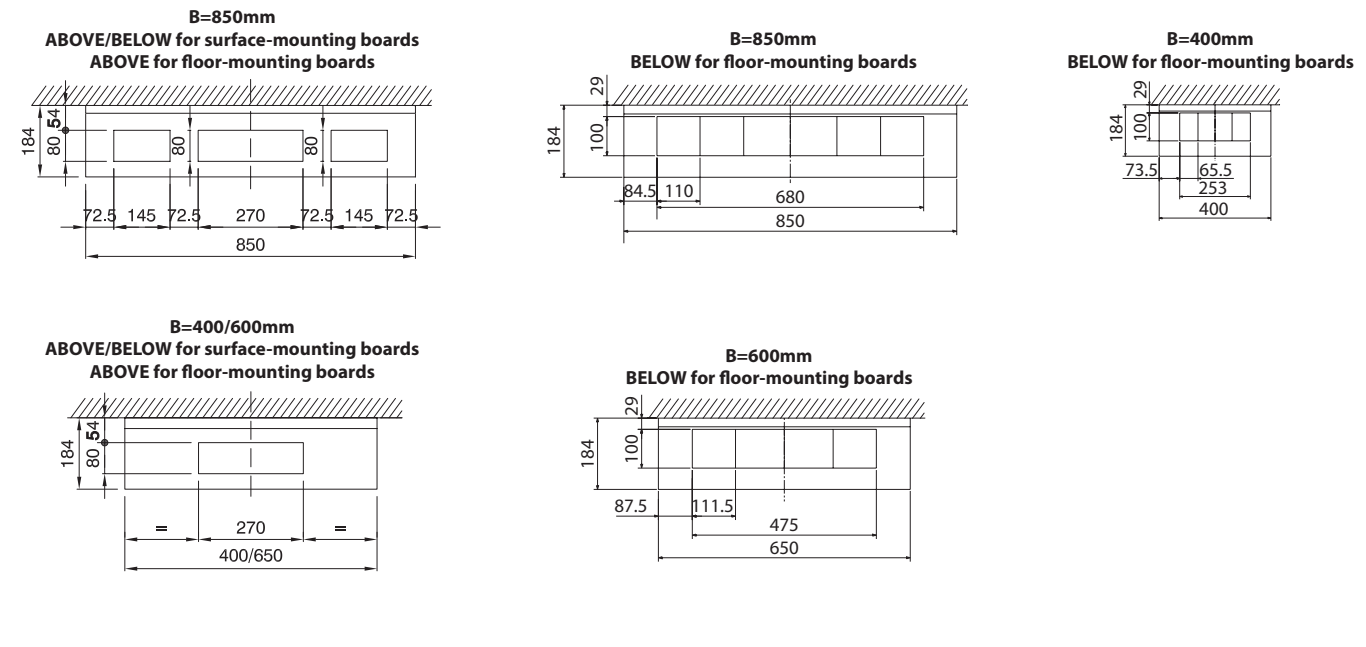
STRUCTURE SECTION



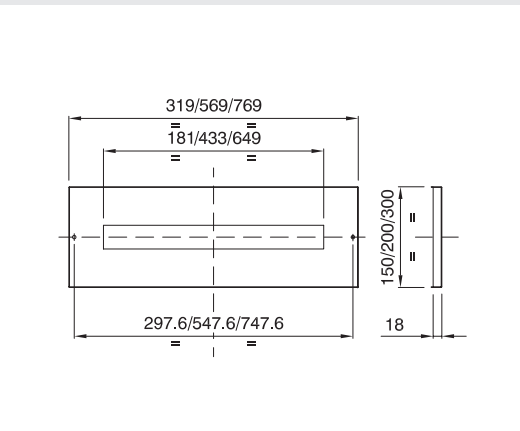
SURFACE FIXING



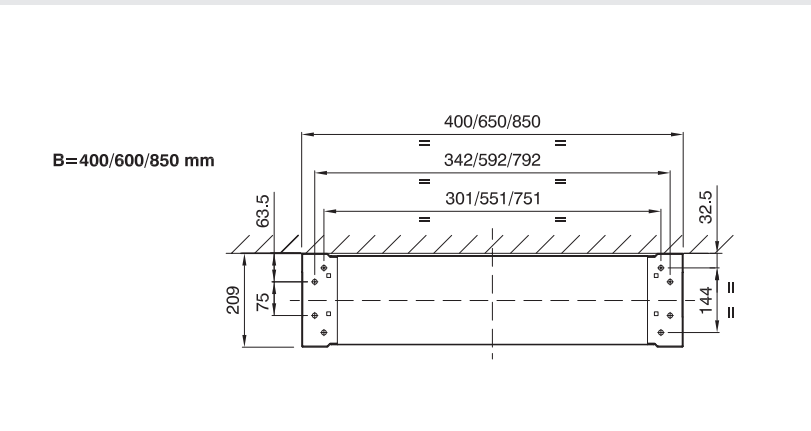
CABLE ENTRY



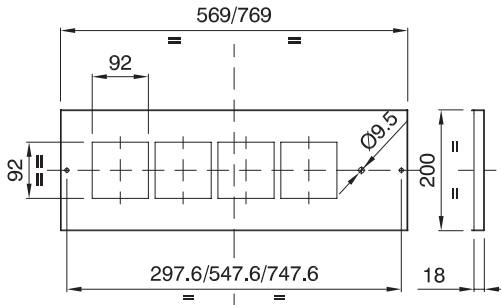
PANELS WITH WINDOWS



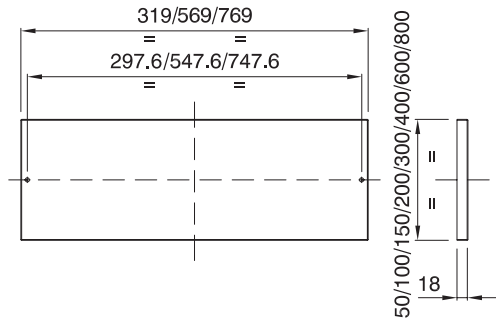
FLOOR FIXING



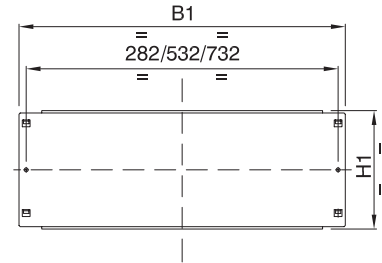
INSTRUMENT PANELS



SOLID PANELS



BACK-MOUNTING PLATES



| Functional dimensions | | Real dimensions | |
|-----------------------|--------|-----------------|---------|
| B (mm) | H (mm) | B1 (mm) | H1 (mm) |
| 400 | 300 | 306 | 298 |
| 600 | 200 | 556 | 198 |
| 600 | 400 | 556 | 398 |
| 600 | 600 | 556 | 598 |
| 850 | 200 | 756 | 198 |
| 850 | 400 | 756 | 398 |
| 850 | 600 | 756 | 598 |