



High Power LED streetlight with cover, frame, and EN AB 46100 low copper painted aluminium cast-iron pole attachment. Suitable for installation both on top of the pole and offset, with 5° pitch adjustment. Opening and closing system with integrated front handle. Closure fabricated in tempered flat glass (4mm thick). Cable input via PG13.5. Safety disconnecter. Cable plate in PA6.6+V. Printed Circuit Board (PCB) in metal core. Metallic PC optical system. Common surge protection up to 10 kV. Operational up to 50°C ambient temperature but with reduction of the supply current as indicated in the Instruction Manual.

GENERAL INFORMATION

Context	Street and parking lighting
Luminaire panoları	LED Road Equipment
Unique digital code (Datamatrix)	Dış Currently not present

Renk	Grafit grisi
Işık kaynağı tipi	LED - değiştirilemez
System power	38 W @ 1A
Lifetime	L90B10 (Tq+25°C) = 100.000 h - L90B10 (Tq+40°C) = 75.000 h

Ağırlık (kg)	6.4
Garanti	5 yıl
Depolama sıcaklığı	-
Operating temperature	-25 +40 °C

MATERIALS

Body	Alüminyum pres döküm
Ekran tipi	4mm thick flat tempered glass
Optic	Metallized polycarbonate reflector
Gasket	Anti-aging silicone
Locking Hook	Integrated front handle

External screw	Paslanmaz çelik
Colour	Powder coating

STANDARDS AND APPROVALS

Sınıflandırma	-
Yüzey sıcaklığı azaltılmış cihaz	-
DIN 18032-3 belgesi	-
IPEA	-
Yalıtım sınıfı	II
IP derecesi	IP66
Direnç dayanıklı	IK08
Akkor Tel Deneyi:	-

OPTIC AND ILLUMINATING FEATURES

Optik	WIDE
Unified Glare Rating	G*3 - ULOR = 0
Lümen çıkışı (lm)	4300
Efficiency (lm/W)	113
Renk Sıcaklık	4000 K
Color Rendering Index	CRI>70
Standard Deviation Colour Matching	SDCM = 5
Photobiological Risk Class	RG0

Standart	EN 60598-2-3, EN 60598-1 IEC/TR 62778
----------	---------------------------------------

ELETRICAL AND LIGHTING FEATURES

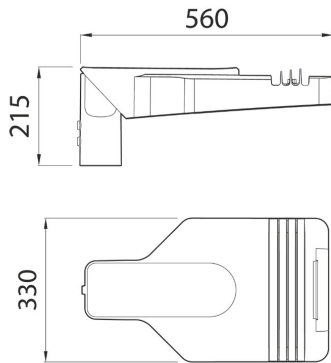
besleme voltaj	220 - 240 V
Nominal frekans (Hz)	50 / 60

Driver	Included
Overvoltage protection	DM 10KV / CM 10KV
Control System	Tek başına

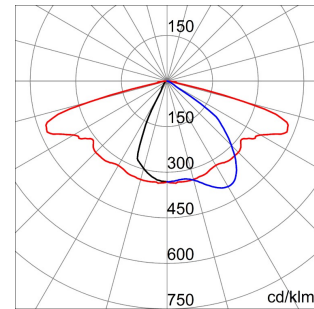
Wiring için	Isolating switch
Optic Maintenance	Pole Head - Outreach
LED Maintenance	-10° + +20° kutup başı

Driver Box	Yerleşik
Rüzgara maruz maksimum yüzey	0,15 m²

DIMENSIONAL



PHOTOMETRIC DISTRIBUTION



TECHNICAL SYMBOLOGY



IP
IP66

IK
IK08

GWT
-

STANDARDS/APPROVALS



Data, measures, designs and pictures are for information purpose only, last update 30/09/2020. They can be changed at any moment, therefore it is always ecommended to read the last updated version published on the website www.gewiss.com. Lumen output and system power are subject to a tolerance of +/- 10%. Unless stated otherwise, the values apply to an ambient temperature of 25°C. Terms of warranty at <https://www.gewiss.com/it/en/company/landingpage/led-warranty>.