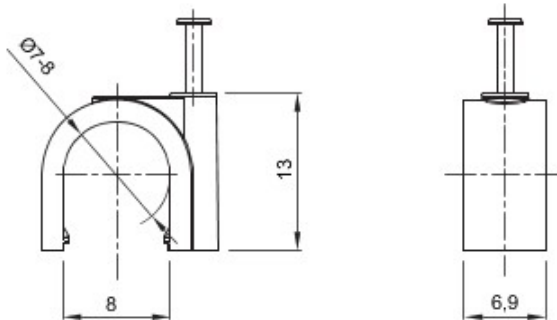




Systems of accessories for electrical installations used for residential, tertiary and industrial applications. The system consists of fasteners for pipes and cables, cable fittings, accessories for rigid pipes (RK Series) and flexible conduit (DF Series). The system include also a wide variety of cable ties (52FS Range) and terminal blocks (44 Range).

Cor	Cinza RAL 7035	Material	Polímero anti choques
Ø interior (mm)	7-8	Descrição	Grampo
Glow Wire Test	750 °C	Para tubos Ø exterior (mm)	7-8
Tipo	Com prego	Temperatura de instalação	-5 +60 °C
Tipo de material	Livre halogéneos segundo EN 60754-2	Código Electrocod	21221
Norma	EN 61386-1 - EN 60670-1 (no que possa aplicar)		

### DIMENSIONAL



### TECHNICAL SYMBOLOGY



750 °C

GEWISS S.p.A. Via A. Volta, 1  
24069 Cenate Sotto - Bergamo - Italy  
tel. +39 035 94 61 11 fax +39 035 94 69 09

www.gewiss.com  
sat@gewiss.com  
Last update 05/03/2021

Data, measures, designs and pictures are shown only as informative purposes, and could be changed without previous notice