

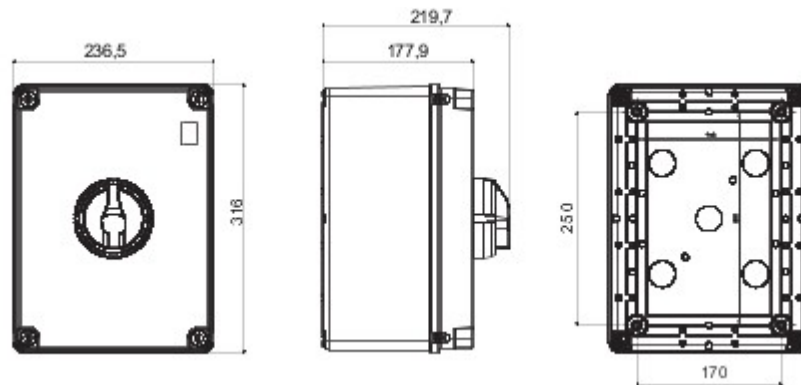


70 RT HP is a new range of 16A to 160A switch disconnectors in isolating material and metal, supplied in a box. Available in control and emergency versions, the range is completed by board versions for front-panel or DIN rail assembly, in 16 to 63A options, all of which can be equipped with auxiliary contacts. These devices have been designed to deliver the ultimate in reliability, functionality and performance. They offer a technologically advanced solution that simplifies installation, reduces wiring times and ensures maximum safety and robustness, even in the most demanding conditions, thanks to the use of high-performance materials.

Versão	Box	Material	Isolante
Tipologia	Para emergência	Corrente nominal (A)	125
N. pólos	3P	Interruptor	Rotary isolator
Grau de protecção	IP66/IP67/IP69	Resistên. golpes	IK08
Temperatura ambiente	-25 +60 °C	Lid screws (no. and type)	4 insulation
Bloqueável	YES (max. 3 locks in OFF)	Tipo acessórios	Max. 4 auxiliary contacts
Current in AC22 (415V)	125	Current in AC23 (415V)	125
Secção cabos	Max 70 mm ²	Dim. externas BxHxP (mm)	236,5x316x178
Código Electrocod	1742		



DIMENSIONAL



TECHNICAL SYMBOLOGY

IP

IK

IP66/IP67/IP69

IK08

STANDARDS/APPROVALS

