

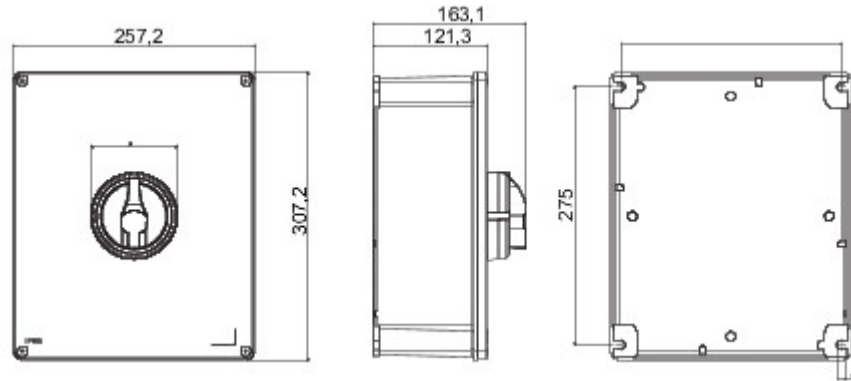


70 RT HP is a new range of 16A to 160A switch disconnectors in isolating material and metal, supplied in a box. Available in control and emergency versions, the range is completed by board versions for front-panel or DIN rail assembly, in 16 to 63A options, all of which can be equipped with auxiliary contacts. These devices have been designed to deliver the ultimate in reliability, functionality and performance. They offer a technologically advanced solution that simplifies installation, reduces wiring times and ensures maximum safety and robustness, even in the most demanding conditions, thanks to the use of high-performance materials.

Versão	Box	Material	Metal
Tipologia	Para emergência	Corrente nominal (A)	100
N. pólos	4P	Interruptor	Rotary isolator
Grau de protecção	IP66	Resistên. golpes	IK10 (IK08 knob)
Temperatura ambiente	-25 +60 °C	Lid screws (no. and type)	4 metal screws
Bloqueável	YES (max. 3 locks in OFF)	Tipo acessórios	Max. 4 auxiliary contacts
Current in AC22 (415V)	100	Current in AC23 (415V)	100
Secção cabos	Max 70 mm ²	Dim. externas BxHxP (mm)	257x307x121
Código Electrocod	1742		



DIMENSIONAL



TECHNICAL SYMBOLOGY

IP

IP66

IK

IK10 (IK08 knob)

STANDARDS/APPROVALS

