

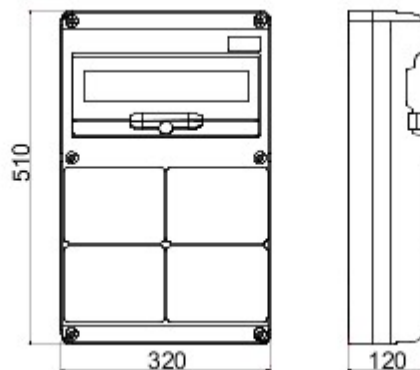


A complete system of IP65 boards for distributing energy in tertiary, commercial sector and building applications, available both empty and pre-wired, in accordance with the international standard EN 61439-3 and EN 61439-4.. The distribution boards allow to house flush-mounting and interlocked socket-outlets up to 63A and versions are available with 5, 10, 14 or 20 DIN modules and additional modules 14 and 20 DIN modules in order to increase modular space inside the boards.. The switches can always be inspected thanks to the wide transparent door with ergonomic handle and "hinged" screws of the front of board facilitate the wiring and maintenance.. Q-DIN are ideally for fixed applications: surface-mounting or pole-mounting , and transportable application: by handle and carrier.. To ensure the best possible performance even in outdoor environments, prolonged exposure to the sun and bad weather, the boards are also UV resistant certified in compliance with EN62208.

Cor	Cinza RAL 7035	Grau de protecção	IP65
N. mód. EN 50022	14	Nº tomadas interbloq.	4 IB Horiz. 16/32A SBF IP44
Tipo de instalação	De parede	Potência dissipável A (W)	24
Potência dissipável B (W)	64	Conformidade normativa	EN 62208
Glow Wire Test	650 °C	Resistên. golpes	IK08
Temperatura de uso	-25 +40 °C	Termopressão com esfera	70 °C
Classe isolamento	II	Versão	Vazio



DIMENSIONAL



TECHNICAL SYMBOLOGY

IP

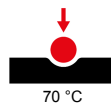
IP65

GWT

650 °C

IK

IK08



STANDARDS/APPROVALS

