

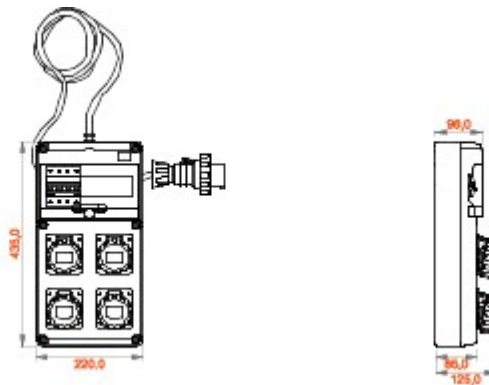


Mobile, transportable terminal boards Type 68 Q-DIN are especially suitable for powering mobile tools and equipment. The accessories - including handles, floor-mounting supports and wheeled carriages - make it extremely easy to move the boards around the site. The 68 Q-DIN ACS boards are available in various configurations with interlocked or fixed IEC 309 socket-outlets in both the protected and watertight versions. Each board comes complete with cable and relative mobile plug for powering portable devices everywhere. The boards can also be equipped with safety locks with a metallic cylinder, and can be mounted on poles or walls, or on mobile floor-mounting supports.

Tipologia	Q-DIN 10 ACS	board type	Cablagem
Dim. externas BxHxP (mm)	220x435x96	Peso (kg)	4
Conformidade normativa	EN 61439-4 (ASC)	Características	Resistência UV (EN 62208)
Grau de protecção	IP65	Resistên. golpes	IK09
Teste de fio incandescente	650 °C	Termopressão com esfera	70 °C
Classe isolamento	II	Alimentação	Ficha
N. pólos	3P+N+T	Potência distribuível (kW)	8
Disjuntores geral	RCBO 16A 4P 6 kA 0,03A - AC type	Circuits protection	RCBO
N. tomadas	4	Tomada 3P+T 16A - IEC 309	4
Comprimento do cabo	4 m	Código Electrocod	139



DIMENSIONAL



TECHNICAL SYMBOLOGY



EN 61439-4 (ASC)



Resistência UV (EN 62208)

IP

IP65

IK

IK09

GWT

650 °C



70 °C



II

STANDARDS/APPROVALS

