

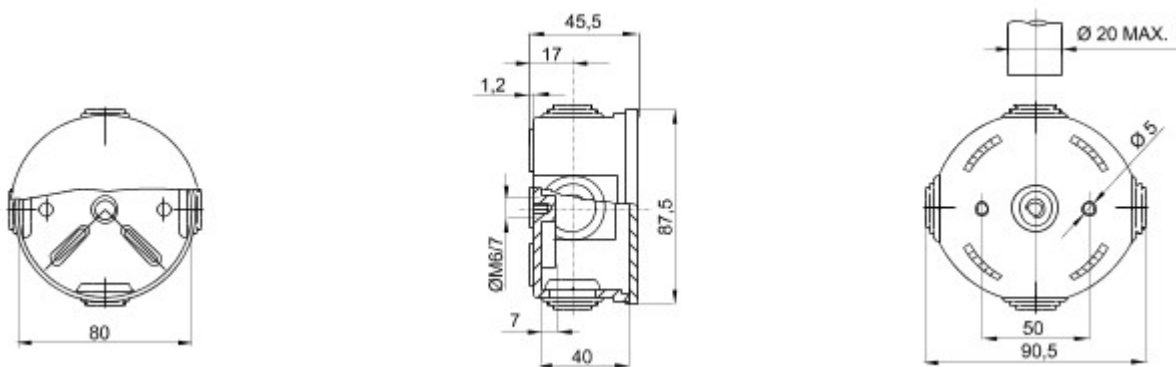


Range 44 CE - Surface-mounting watertight junction boxes in compliance with EN 60670-1 (CEI 23-48) and IEC 60670-22 (CEI 23-94) and made in high-performance technopolymers. The range includes versions with protection degree IP44, IP55, IP56 with smooth walls or with quick entry cable glands and different type of covers: blind / transparent, deep/plain, press-on/screw (in plastic, also 1/4 turn, or in metal). Available in different self-extinguishing materials (up to GWT 960 °C). Suitable for ordinary junctions, for special uses, and for industrial uses.

Classe isolamento	II (Norma IEC 61140)	Cor	Cinza RAL 7035
Grau de protecção	IP44	Material	GWPLAST 75
Resistên. golpes	IK07	Dim. internas BxHxP (mm)	Ø 80x40
Entradas N. furos / Ø	4 / 23	Aplicação	Usos especiais
Glow Wire Test	960 °C	Tampa	Baixa pressão
Temperatura de instalação	-25 +60 °C	Código Electrocod	02210
Termopressão com esfera	85 °C	Paredes	Com cones
Acessórios para a restauração do isolamento	GW44622		



DIMENSIONAL



TECHNICAL SYMBOLOGY



STANDARDS/APPROVALS

