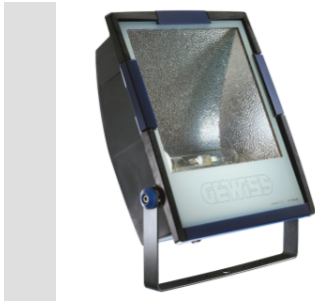


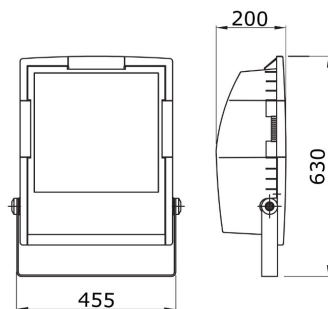
### HORUS Range



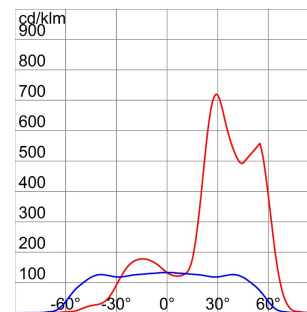
Thermoplastic outdoor floodlight in smoke grey color with hot galvanized bracket painted the same color of the body. Equipped with graduate scale to facilitate orientation. Flat tempered glass 4 mm thickness silk screen printed; hinged to the body for quick access inside the floodlight. Anti-aging silicone gasket. Power input through PG 13,5 for cables Ø 6.5 ±13 mm. Optic in 99.85% polished and anodised aluminium. Electrical component plate in galvanized steel. Bipolar terminal block for cable 4 mm².

Application	External	IP degree	IP65
Mechanical resistance	IK09	Insulation class	II
Glow Wire Test	650 °C	Maximum surface exposed to the wind	0.235 m²
Minimum distance from the illuminated object	1 m	Weight (kg)	10.5
Colour	Smoke grey	Voltage	230 V - 50 Hz
Lamp power	250 W	Lamp current	3 A
Lamp holder	E40	Lamp supplied	ST
Lamp included	Yes	Efficiency class of the lamp supplied	A+
Efficiency class of compatible lamps	A+ ÷ A++	Optic	Asymmetrical diffused - ULOR: 0%
Light pollution	0 cd/Klm	Warranty	5 years
Electrocod	2443		

### DIMENSIONAL



### PHOTOMETRIC DISTRIBUTION



### TECHNICAL SYMBOLOGY



**IP**  
IP65

**IK**  
IK09



**GWT**  
650 °C



0.235 m²



1 m



WITH LAMP



0 Cd



### STANDARDS/APPROVALS

