

SMART [PRO] 2.0



SMART [PRO] 2.0 is a medium power outdoor and indoor LED projector, suitable for lighting sports areas and facilities. It can be installed on the wall, ceiling or ground thanks to the polyester powder coated galvanised steel bracket, with trivalent passivation, equipped with adjustable goniometric scale and supplied in kit. The body is produced in aluminium die casting EN AB 46100, with integrated passive heat sink, powder coated polyester with trivalent passivation. Metal core PCB with CSP LED. Reflector made of metallic HT PC or anodised and polished aluminium. Hardened front glass with 4mm thickness, anti-ageing silicone seals and A2 stainless steel exterior screws. Plastic venting and anti-condensation device. Electrical connection via IP68 connector for 1.5mm² cables. Insulation class 1. Driver integrated in options 1-10 V or DALI. Available with nine different types of optics, three types of Colour Temperature (3,000K/4,000K/5,700K) and two different types of Chromatic Yield Index (CRI>70, CRI>80). Designed to withstand surges up to 5KV (RCCB mode) and 10KV (common mode), temperature variations from -30°C to +50°C, water and dust penetration up to IP66 protection and impacts up to IK08.

GENERAL INFORMATION

Context	Sport, Big Areas
Luminaire	LED luminaire with small, mid and high lumen power
panoları	İç / Dış
Unique digital code (Datamatrix)	Currently not present
Renk	Grafit grisi
Işık kaynağı tipi	LED
Sistem gücü	165 W
LED Lifetime	L90B10(Tq25°C)=50.000h; L80B10(Tq25°C)=110.000h
Ağırlık (kg)	5.7

OPTIC AND ILLUMINATING FEATURES

Optik	C1 - Circular 30°
Unified Glare Rating	G*6 - ULOR = 0
Lümen çıkışı (lm)	18700
Efficacy (lm/W)	113
Renk Sıcaklık	4000 K
Colour Rendering Index	CRI>80
Standard Deviation Colour Matching	SDCM = 3
Photobiological Risk Class	-
Standart	EN60598-1; EN60598-2-5; EN60598-2-24; IEC 62778; IEC62471; EN13201

Garanti	5 yıl
Depolama sıcaklığı	-
Operating temperature	-30 +50 °C

MATERIALS

Body	Alüminyum pres döküm
Ekran tipi	Flat tempered glass 4mm
Optic	Polished quartz and metallized PC HT reflector
Gasket	Anti-ageing silicone
Locking Hook	Hexagonal metric screws
External screw	Stainless steel

ELETRICAL AND LIGHTING FEATURES

besleme voltaj	220 - 240 V
Nominal frekans (Hz)	50 / 60
Driver	Included
Driver failure rate	F10 = 100.000h Tq25°C
Overvoltage protection	DM 6 kV / CM 10 kV
Control System	DALI

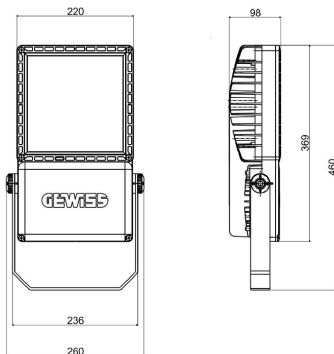
INSTALLATION AND MAINTENANCE

Mounting and installation	High-mast lighting - Wall mounting - Ground mouting
Tilt	Rotation on bracket with integrated goniometer
Wiring	Watertight connector

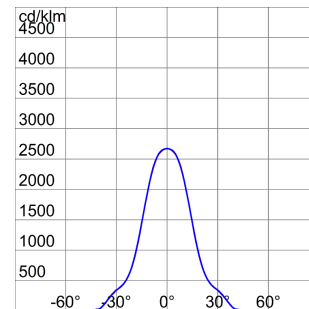
Colour	Polyester powder coated
STANDARDS AND APPROVALS	-
Sınıflandırma	-
Yüzey sıcaklığı azaltılmış cihaz	Evet
DIN 18032-3 belgesi	Evet
IPEA	-
Yalıtım sınıfı	I
IP derecesi	IP66
Direnç dayanıklı	IK08
Akkor Tel Deneyi:	-

için	Bracket
Light souce replaceability	By professional
Controlgear replaceability	By professional
Driver Box	Yerleşik
Rüzgara maruz maksimum yüzey	0,085 m2
-	-
-	-
-	-

DIMENSIONAL



PHOTOMETRIC DISTRIBUTION



SMART [PRO] 2.0

TECHNICAL SYMBOLOGY




0,085 m²



IP
IP66

IK
IK08

GWT
-

STANDARDS/APPROVALS

**UK
CA**



CE