

### Smart [PRO] 2.0



SMART [PRO] 2.0 is a medium power outdoor and indoor LED projector, suitable for lighting sports areas and facilities. It can be installed on the wall, ceiling or ground thanks to the polyester powder coated galvanised steel bracket, with trivalent passivation, equipped with adjustable goniometric scale and supplied in kit. The body is produced in aluminium die casting EN AB 46100, with integrated passive heat sink, powder coated polyester with trivalent passivation. Metal core PCB with CSP LED. Reflector made of metallic HT PC or anodised and polished aluminium. Hardened front glass with 4mm thickness, anti-ageing silicone seals and A2 stainless steel exterior screws. Plastic venting and anti-condensation device. Electrical connection via IP68 connector for 1.5mm<sup>2</sup> cables. Insulation class 1. Driver integrated in options 1-10 V or DALI. Available with nine different types of optics, three types of Colour Temperature (3,000K/4,000K/5,700K) and two different types of Chromatic Yield Index (CRI>70, CRI>80). Designed to withstand surges up to 5KV (RCCB mode) and 10KV (common mode), temperature variations from -30°C to +50°C, water and dust penetration up to IP66 protection and impacts up to IK08.

#### GENERAL INFORMATION

|                                  |  |
|----------------------------------|--|
| Context                          | Sport, Big Areas                                   |
| Luminaire                        | LED luminaire with small, mid and high lumen power |
| panoları                         | İç / Dış   |
| Unique digital code (Datamatrix) | Currently not present                              |
| Renk                             | Grafit grisi                                       |
| Işık kaynağı tipi                | LED - değiştirilemez                               |
| Sistem gücü                      | 165 W  |
| LED Lifetime                     | L90B10(Tq25°C)=50.000h;<br>L80B10(Tq25°C)=110.000h |
| Ağırlık (kg)                     | 5.7  |

#### OPTIC AND ILLUMINATING FEATURES

|                                    |   |
|------------------------------------|---|
| Optik                              | A2 - Asymmetrical Medium  |
| Unified Glare Rating               | G*3 - ULOR = 0  |
| Lümen çıkışı (lm)                  | 15300   |
| Efficiency (lm/W)                  | 93  |
| Renk Sıcaklık                      | 5700 K  |
| Color Rendering Index              | CRI>80  |
| Standard Deviation Colour Matching | SDCM = 3  |
| Photobiological Risk Class         | -   |
| Standart                           | EN60598-1; EN60598-2-5; EN60598-2-24;<br>IEC 62778; IEC62471; EN13201 |

|                       |            |
|-----------------------|------------|
| Garanti               | 5 yıl      |
| Depolama sıcaklığı    | -          |
| Operating temperature | -30 +50 °C |

#### MATERIALS

|            |  |
|------------|--|
| Body       | Alüminyum pres döküm   |
| Ekran tipi | Flat tempered glass 4mm  |
| Optic      | Polished anodised aluminum reflector with 99.99% pure aluminum |

|              |                         |
|--------------|-------------------------|
| Gasket       | Anti-ageing silicone    |
| Locking Hook | Hexagonal metric screws |

#### ELETRICAL AND LIGHTING FEATURES

|                        |                       |
|------------------------|-----------------------|
| besleme voltaj         | 220 - 240 V           |
| Nominal frekans (Hz)   | 50 / 60               |
| Driver                 | Included              |
| Driver failure rate    | F10 = 100.000h Tq25°C |
| Overvoltage protection | DM 6 kV / CM 10 kV    |
| Control System         | DALI                  |

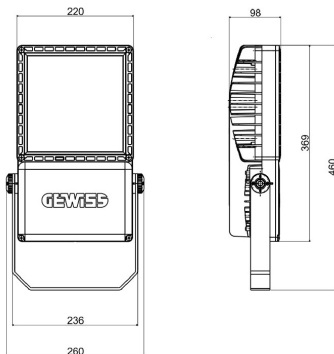
#### INSTALLATION AND MAINTENANCE

|                          |   |
|--------------------------|---|
| Mouting and installation | High-mast lighting - Wall mounting - Ground mouting |
| Tilt                     | Rotation on bracket with integrated goniometer      |
| Wiring                   | Watertight connector                                |

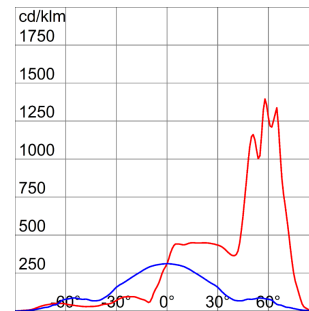
|                                  |                         |
|----------------------------------|-------------------------|
| Colour                           | Polyester powder coated |
| <b>STANDARDS AND APPROVALS</b>   |                         |
| Sınıflandırma                    | -                       |
| Yüzey sıcaklığı azaltılmış cihaz | Evet                    |
| DIN 18032-3 belgesi              | Evet                    |
| IPEA                             | -                       |
| Yalıtım sınıfı                   | I                       |
| IP derecesi                      | IP66                    |
| Direnç dayanıklı                 | IK08                    |
| Akkor Tel Deneyi:                | -                       |

|                              |                      |
|------------------------------|----------------------|
| Bracket                      | -                    |
| Optic Maintenance            | Not available        |
| LED Maintenance              | Not available        |
| Driver Box                   | Yerleşik             |
| Rüzgara maruz maksimum yüzey | 0,085 m <sup>2</sup> |

### DIMENSIONAL



### PHOTOMETRIC DISTRIBUTION



Smart [PRO] 2.0

### TECHNICAL SYMBOLOGY



0,085 m2



**IP**  
IP66

**IK**  
IK08

**GWT**  
-

### STANDARDS/APPROVALS

