

ROAD [5] Range



High Power LED streetlight with cover, frame, and EN AB 46100 low copper painted aluminium cast-iron pole attachment. Suitable for installation both on top of the pole and offset, with 5° pitch adjustment. Opening and closing system with integrated front handle. Closure fabricated in tempered flat glass (4mm thick). Cable input via PG13.5. Safety disconnect. Cable plate in PA6.6+FV. Printed Circuit Board (PCB) in metal core. Metallic PC optical system. Common surge protection up to 10 kV. Operational up to 50°C ambient temperature but with reduction of the supply current as indicated in the Instruction Manual.

GENERAL INFORMATION

Context	Street and parking lighting
Luminaire panoları	LED Road Equipment
Unique digital code (Datamatrix)	Currently not present
Renk	Grafit grisi
Işık kaynağı tipi	LED - değiştirilemez
System power	113 W @ 1A
LED Lifetime	L90B10(Tq25°C)>115.000h; L90B10(Tq40°C)=115.000h

Ağırlık (kg)	8
Garanti	5 yıl
Depolama sıcaklığı	-
Operating temperature	-25 +40 °C

MATERIALS

Body	Alüminyum pres döküm
Ekran tipi	4mm thick flat tempered glass
Optic	Metallized polycarbonate reflector
Gasket	Anti-aging silicone
Locking Hook	Integrated front handle
External screw	Paslanmaz çelik

Colour	Powder coating
--------	----------------

STANDARDS AND APPROVALS

Sınıflandırma	-
Yüzey sıcaklığı azaltılmış cihaz	-
DIN 18032-3 belgesi	-
IPEA	-
Yalıtım sınıfı	I
IP derecesi	IP66
Direnç dayanıklı	IK08
Akkor Tel Deneyi:	-

OPTIC AND ILLUMINATING FEATURES

Optik	WIDE
Unified Glare Rating	G*3 - ULOR = 0
Lümen çıkışı (lm)	12800
Efficiency (lm/W)	113
Renk Sıcaklık	4000 K
Color Rendering Index	CRI>70
Standard Deviation Colour Matching	SDCM = 5
Photobiological Risk Class	RG0

Standart	EN 60598-2-3, EN 60598-1 IEC/TR 62778
----------	---------------------------------------

ELETRICAL AND LIGHTING FEATURES

besleme voltaj	220 - 240 V
Nominal frekans (Hz)	50 / 60
Driver failure rate	F10=100.000h Tq25°C/75.000h Tq40°C

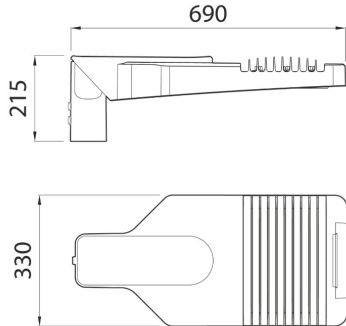
Driver	Included
Overvoltage protection	DM 10KV / CM 10KV
Control System	Tek başına

INSTALLATION AND MAINTENANCE

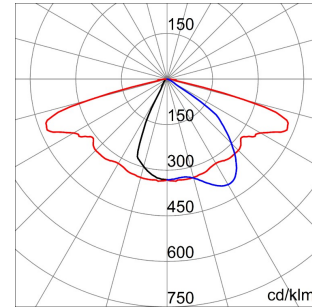
Mouting and installation	Pole Head - Outreach
Tilt	-20° + +10° yan aksesuarı - -10° + +20° kutup başı
Wiring	Isolating switch

Optic Maintenance	Not available
LED Maintenance	Not available
Driver Box	Yerleşik
Rüzgara maruz maksimum yüzey	0.19 m²

DIMENSIONAL



PHOTOMETRIC DISTRIBUTION



TECHNICAL SYMBOLOGY



IP
IP66

IK
IK08

GWT
-

ROAD [5] Range

STANDARDS/APPROVALS

