

ELIA FL - Floodlight LED



ELIA FL is a LED outdoor floodlight available in low, medium and high power versions for lighting external industrial areas, such as car parks and walkways or driveways. It can be mounted on surfaces, ceilings or on the ground using the adjustable steel bracket supplied with the device, or in the pole head version, courtesy of the dedicated accessory for poles with a diameter of up to 61mm. Crafted from black powder-coated die-cast aluminium, it is available in four sizes and powers, with integrated power supply in the On/Off or DALI options, three types of optic (30°, 60° and asymmetrical) with a colour temperature of 4,000K (neutral white) and a colour rendering index of more than 80. Tough and durable, ELIA FL has been designed to withstand surges of up to 10KV and temperature variations from -30 °C to + 50 °C, and offers protection from water and dust penetration of up to level IP66 and from shocks and impacts of up to level IK08. ELIA FL is quick and easy to install thanks to its limited weight and adjustable bracket.

GENERAL INFORMATION

Context	Industry, Logistic, Façade, Sport
Luminaire	LED luminaire with small, mid and high lumen power
panoları	İç / Dış
Unique digital code (Datamatrix)	Currently not present
Renk	Siyah
Işık kaynağı tipi	LED - değiştirilemez
Sistem gücü	50 W
LED Lifetime	L80B50 (Tq25°) = 89.000h
Ağırlık (kg)	2.6
Garanti	5 yıl
Depolama sıcaklığı	-40° +85°
Operating temperature	-30° +50°

MATERIALS

Body	Alüminyum pres döküm
Ekran tipi	Flat silked tempered glass 4mm thick with Gewiss logo
Optic	With high efficiency optic system
Gasket	-
Locking Hook	-
External screw	Paslanmaz çelik
Colour	Powder coating

STANDARDS AND APPROVALS

Sınıflandırma	-
Yüzey sıcaklığı azaltılmış cihaz	-
DIN 18032-3 belgesi	-
IPEA	-
Yalıtım sınıfı	I
IP derecesi	IP66
Direnç dayanıklı	IK08
Akkor Tel Deneyi:	750 °C

OPTIC AND ILLUMINATING FEATURES

Optik	60°
Unified Glare Rating	ULOR = 0%
Lümen çıkışı (lm)	6600
Efficiency (lm/W)	132
Renk Sıcaklık	4000 K
Color Rendering Index	CRI 80
Standard Deviation Colour Matching	SDCM = 5
Photobiological Risk Class	RG0
Standart	-

ELETRICAL AND LIGHTING FEATURES

besleme voltaj	100-240 V
Nominal frekans (Hz)	50 / 60
Driver	Included
Driver failure rate	F05 = 84.000h Tq 25°C
Overvoltage protection	Overvoltage protection 6-4kV

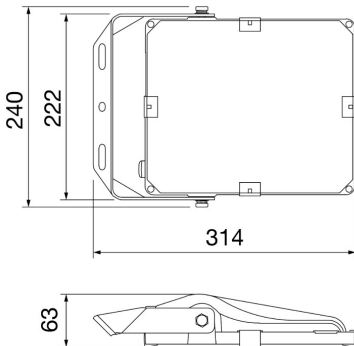
Control System

Control System	ON OFF
----------------	--------

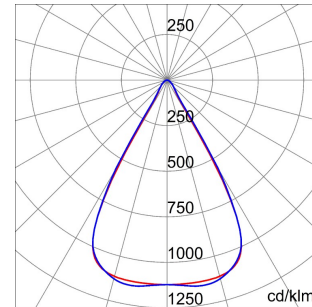
INSTALLATION AND MAINTENANCE

Mouting and installation	Ceiling - Wall - Floor
Tilt	With adjustable bracket assembled
Wiring	With power cable
çin	-
Optic Maintenance	Not available
LED Maintenance	Not available
Driver Box	Yerleşik
Rüzgara maruz maksimum yüzey	0,05 m²

DIMENSIONAL



PHOTOMETRIC DISTRIBUTION



TECHNICAL SYMBOLOGY



IP

IP66

IK

IK08

GWT

750 °C

ELIA FL - Floodlight LED

STANDARDS/APPROVALS

