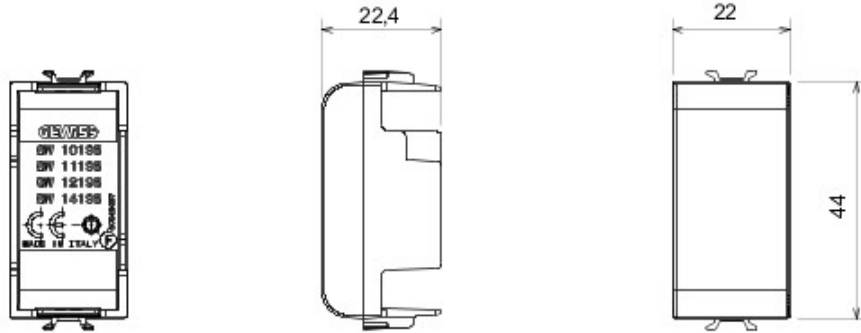




A system of command and control wireless devices based on Zigbee technology that offers innovative solutions for the renovation of buildings, minimizing the structural interventions. Zigbee is a safe and reliable system because the data exchanged are encrypted and every node of the network always ensures reachability among all the devices (mesh network). The Zigbee devices enrich the range of home&building automation solutions by Gewiss and can be managed via App, with smartphone and tablet, through the Smart Gateway.

Tanım	1 m	Kategori	Boşluk kapağı
Renk	Beyaz	Sembol	Radio frequency
uygun için	Contacts interfaces, Zigbee actuators	Bilyeli termo sıcaklık	125 °C
Akkor Tel Deneyi:	850 °C	Standart	EN 60669-1
Chorus sayısı modüller	1	Elektrokod	0100

DIMENSIONAL



TECHNICAL SYMBOLOGY



STANDARDS/APPROVALS

