

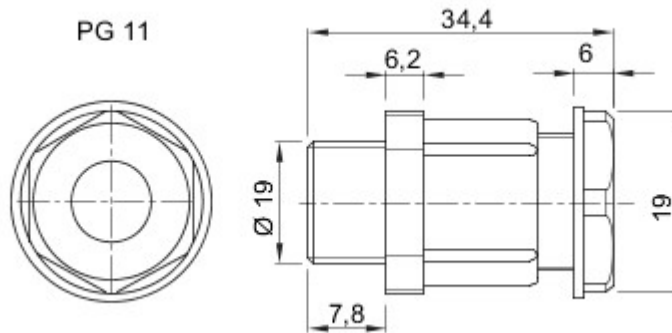


Systems of accessories for electrical installations used for residential, tertiary and industrial applications. The system consists of fasteners for pipes and cables, cable fittings, accessories for rigid pipes (RK Series) and flexible conduit (DF Series). The system include also a wide variety of cable ties (52FS Range) and terminal blocks (44 Range).

Renk	Gri RAL 7035	IP derecesi	IP54
Malzeme	Naylon	Kablolar için Ø (mm)	6'tan 9'a kadar
PG aralık	11	Montaj deliği (mm)	19
Tanım	Kablo rakoru	Akkor Tel Deneyi:	650 °C
Çalıştırma sıcaklığı	-25 +65 °C	Elektrokod	36B
Standart	EN 50262 - IEC62444 - DIN 40430		



DIMENSIONAL



TECHNICAL SYMBOLOGY

IP

IP54

GWT

650 °C



-25 +65 °C

STANDARDS/APPROVALS



GEWISS S.p.A. Via A. Volta, 1
24069 Cenate Sotto - Bergamo - Italy
tel. +39 035 94 61 11 fax +39 035 94 69 09

www.gewiss.com
sat@gewiss.com
Last update 18/06/2021

Data, measures, designs and pictures are shown only as informative purposes, and could be changed without previous notice