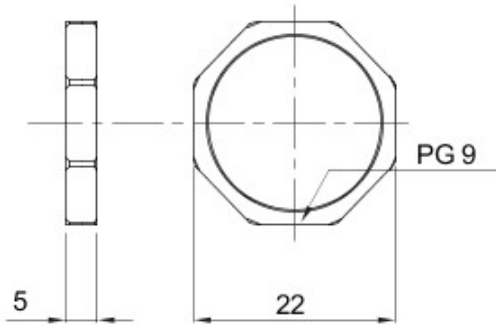




Systems of accessories for electrical installations used for residential, tertiary and industrial applications. The system consists of fasteners for pipes and cables, cable fittings, accessories for rigid pipes (RK Series) and flexible conduit (DF Series). The system include also a wide variety of cable ties (52FS Range) and terminal blocks (44 Range).

Renk	Gri RAL 7035	Malzeme	Naylon
aralık	PG9	Tanım	Tespit somunu
Tip	Altigen	Elektrokod	36B

DIMENSIONAL



GEWISS S.p.A. Via A. Volta, 1
24069 Cenate Sotto - Bergamo - Italy
tel. +39 035 94 61 11 fax +39 035 94 69 09

www.gewiss.com
sat@gewiss.com
Last update 23/12/2021

Data, measures, designs and pictures are shown only as informative purposes, and could be changed without previous notice