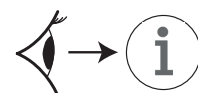


SMART [3] PLUS DALI

GEWISS



UK
CA

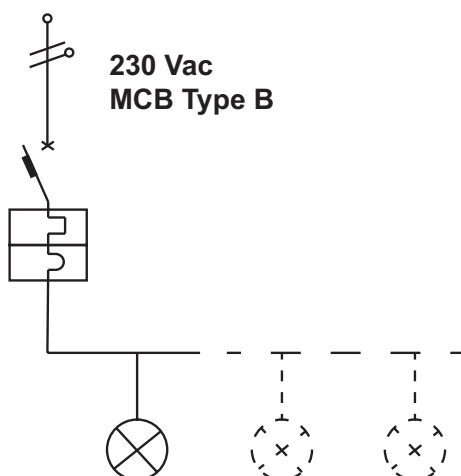
IP66
IP69



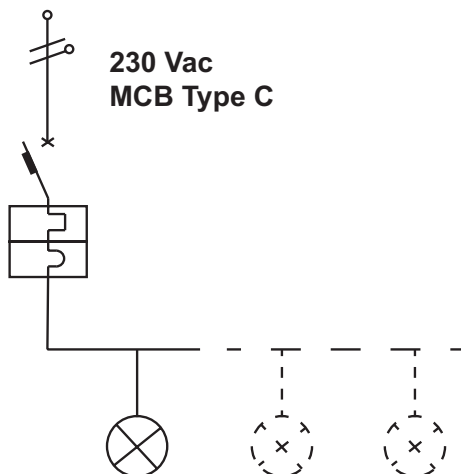
$t_{min} : -25^{\circ}C$



| | t_a |
|-------------------------|-------|
| SMART [3] 800-1200-1600 | +50°C |
| SMART [3] HLO 1600 | +45°C |



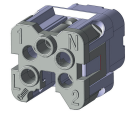
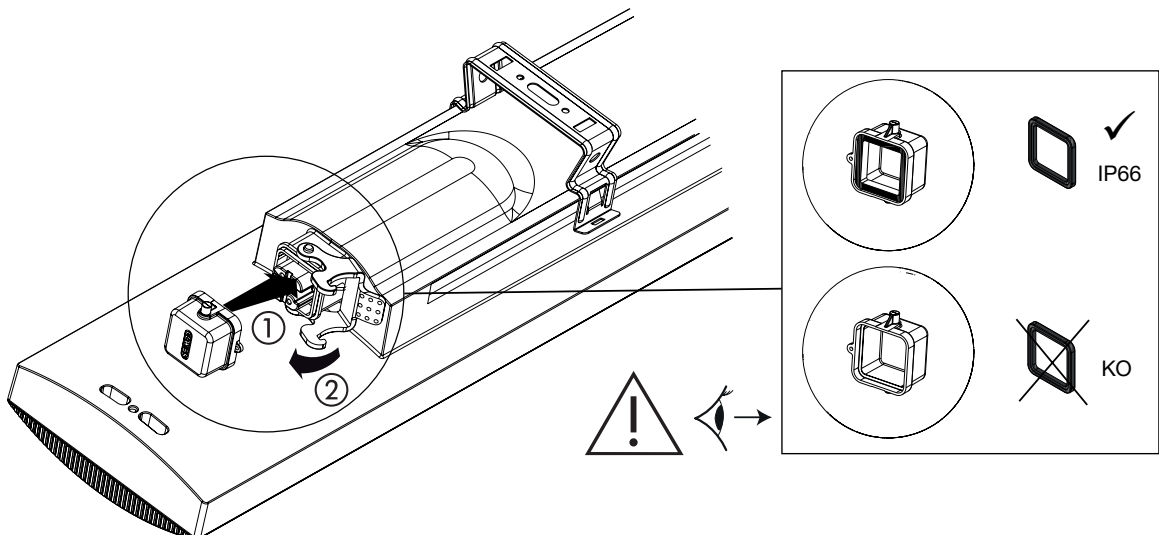
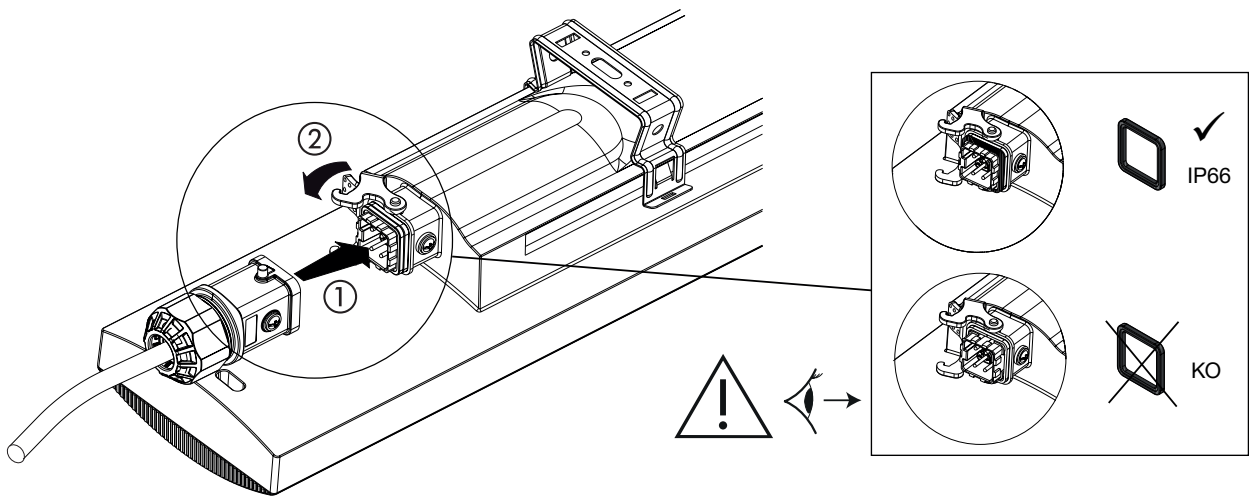
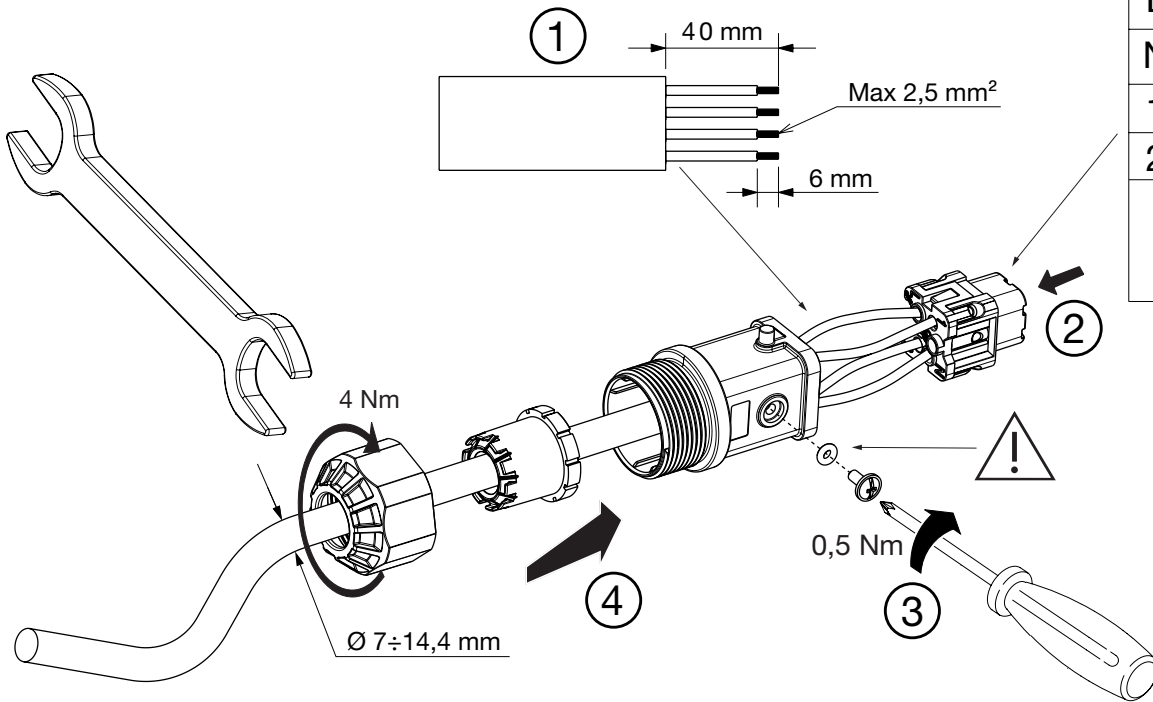
| MCB current | max no. SMART [3] | | |
|-------------------------|-------------------|------|------|
| | 10 A | 16 A | 20 A |
| SMART [3] 800-1200-1600 | 18 | 29 | 35 |
| SMART [3] HLO 1600 | 11 | 18 | 22 |

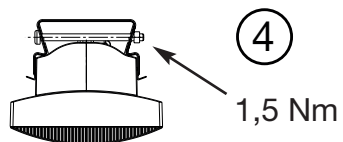
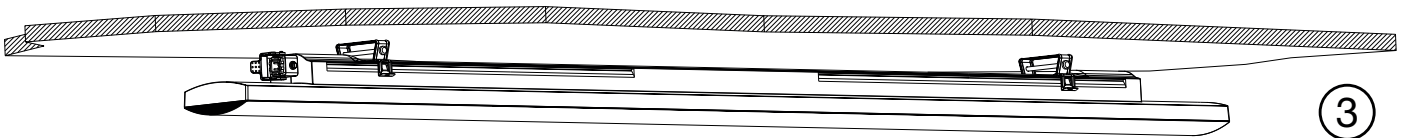
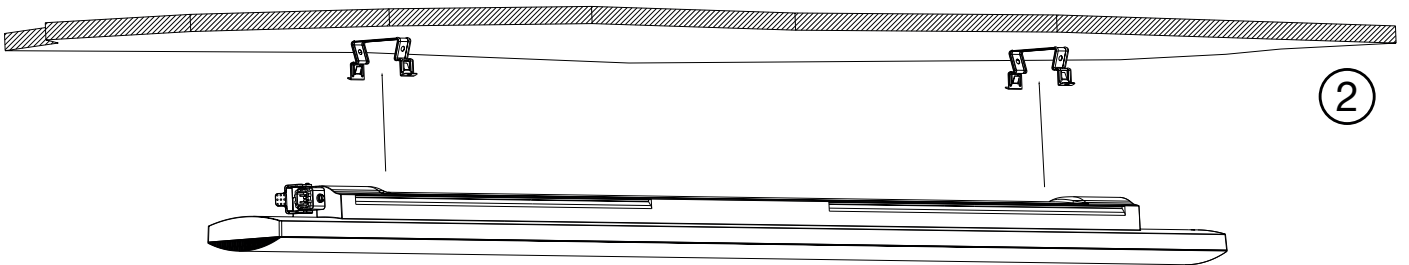
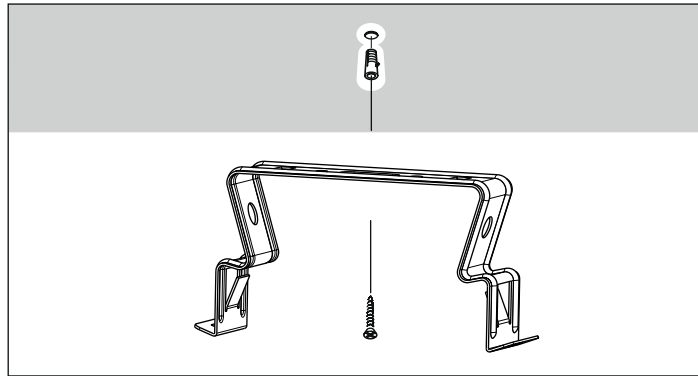


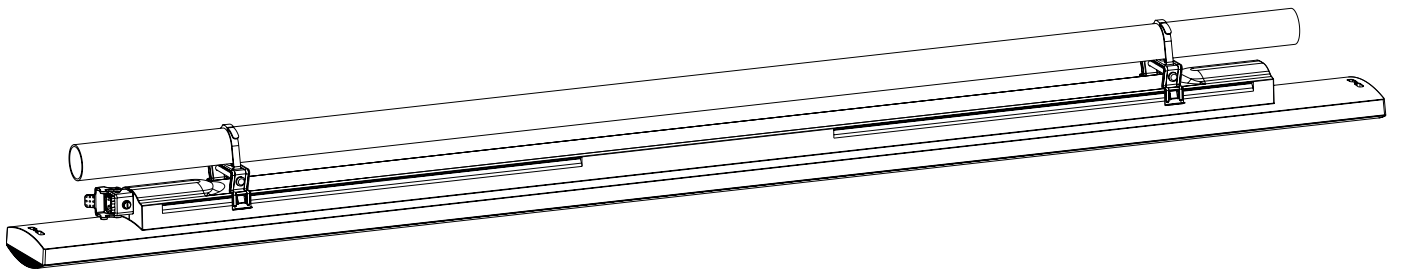
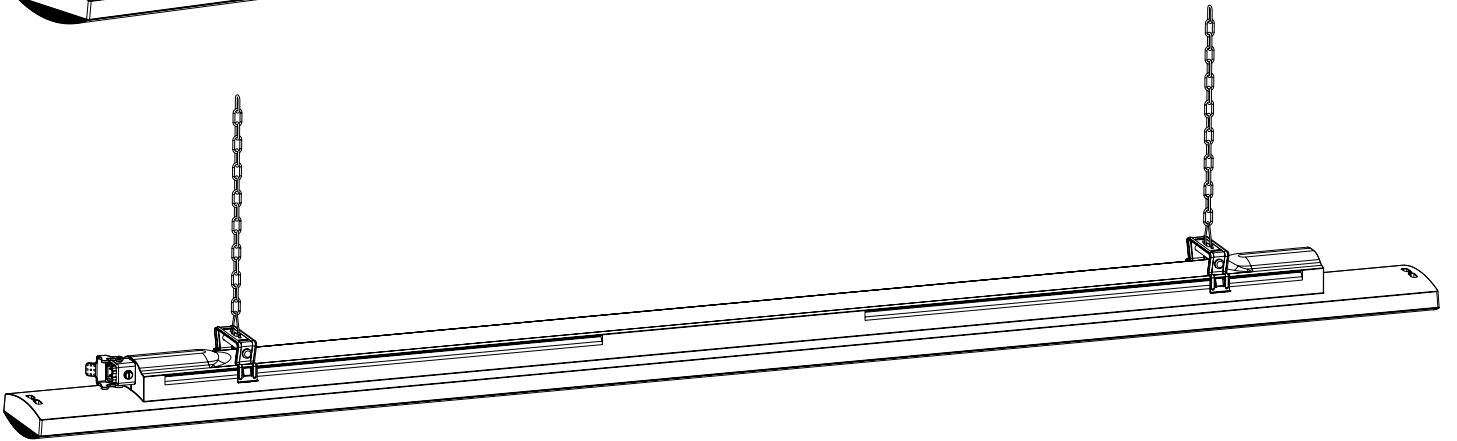
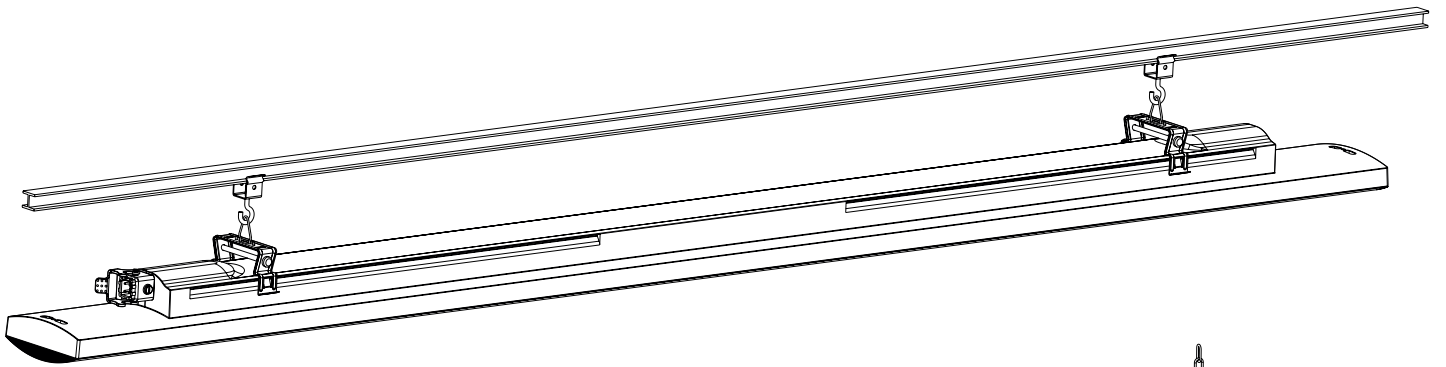
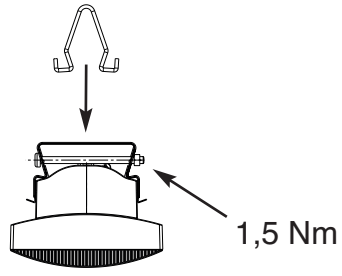
| MCB current | max no. SMART [3] | | |
|-------------------------|-------------------|------|------|
| | 10 A | 16 A | 20 A |
| SMART [3] 800-1200-1600 | 30 | 49 | 60 |
| SMART [3] HLO 1600 | 18 | 30 | 37 |

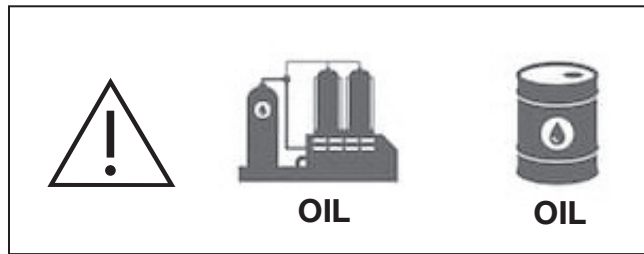


| | | |
|---|---|------|
| L | = | L |
| N | = | N |
| 1 | = | DALI |
| 2 | = | |

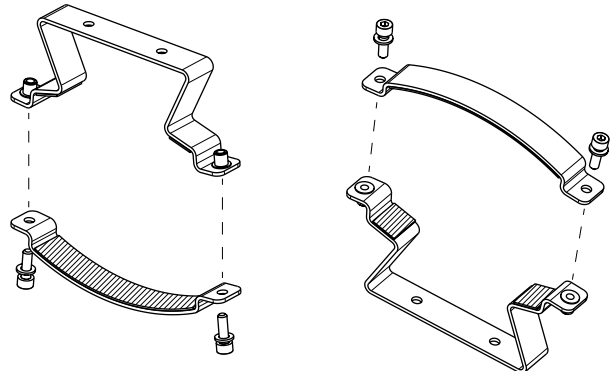
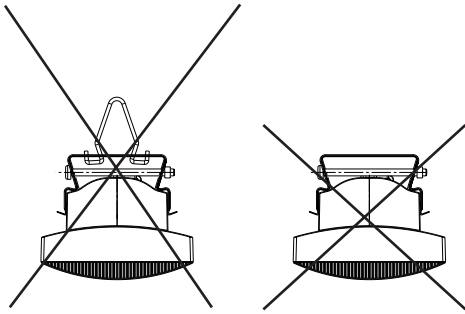





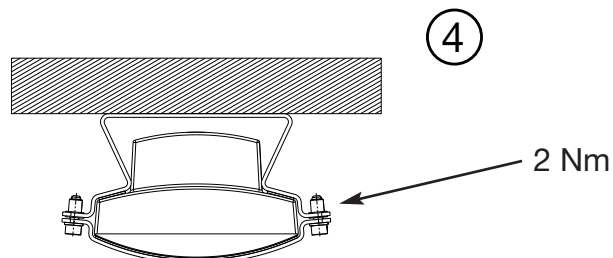
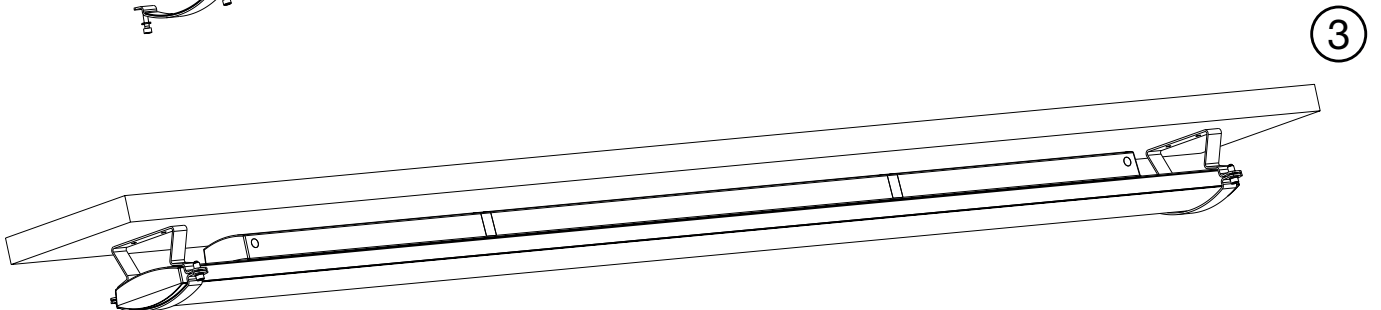
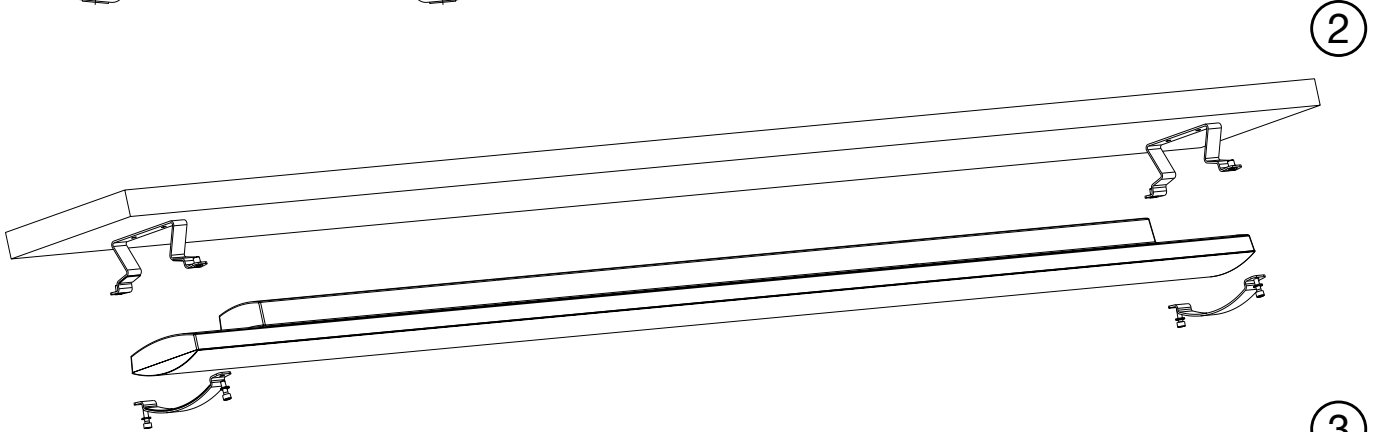
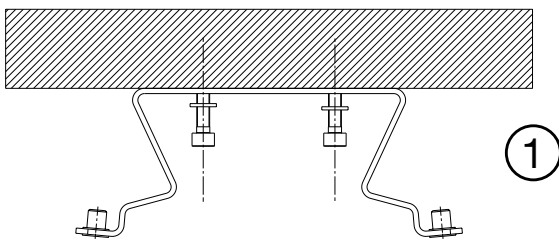


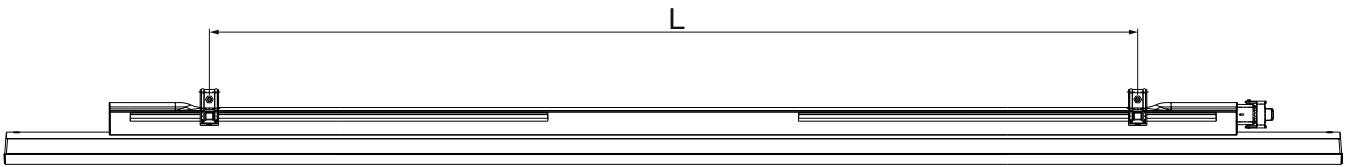
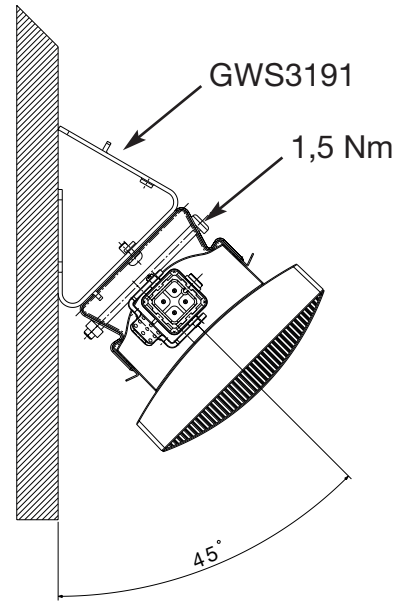
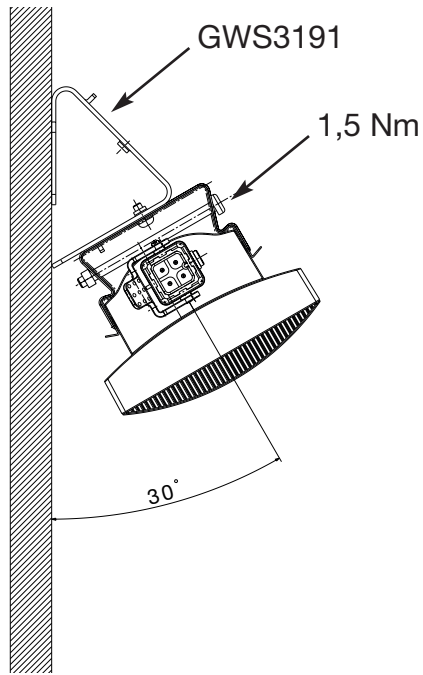


OK! ✓

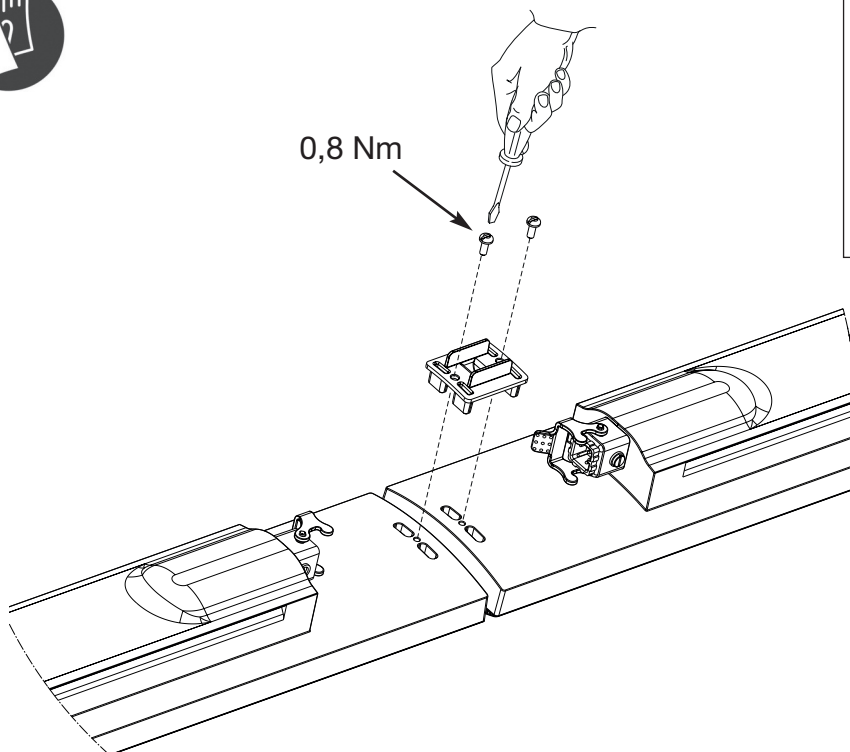


GWS3296

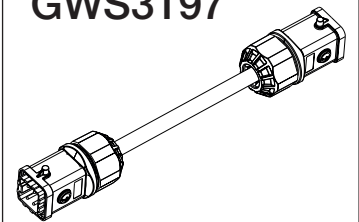


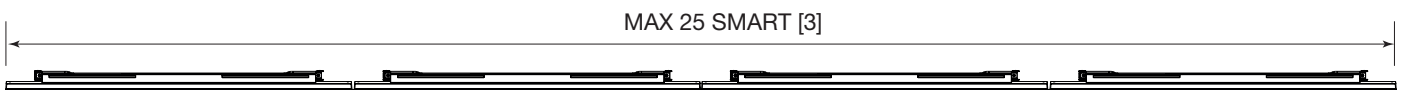
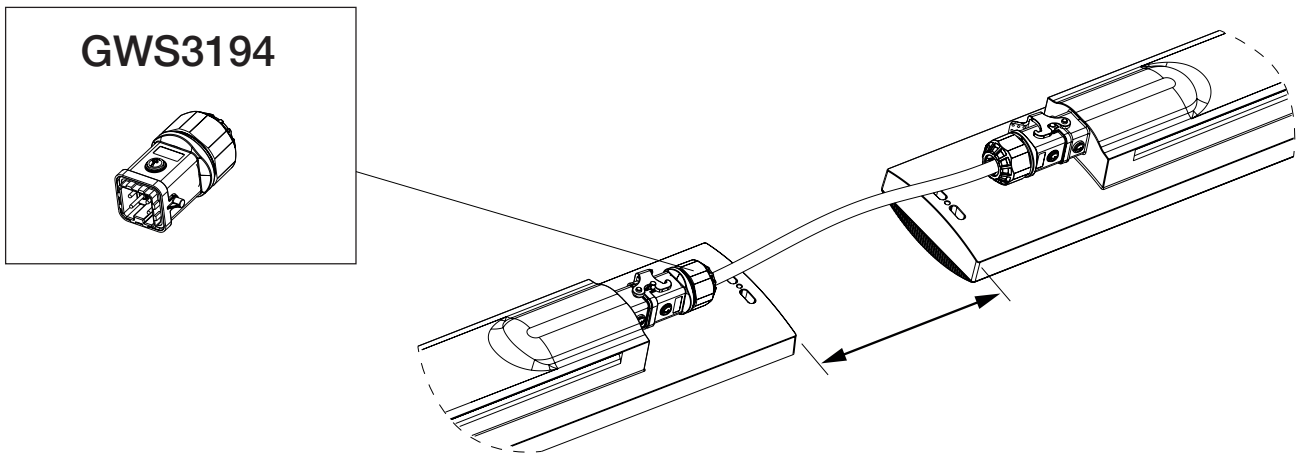
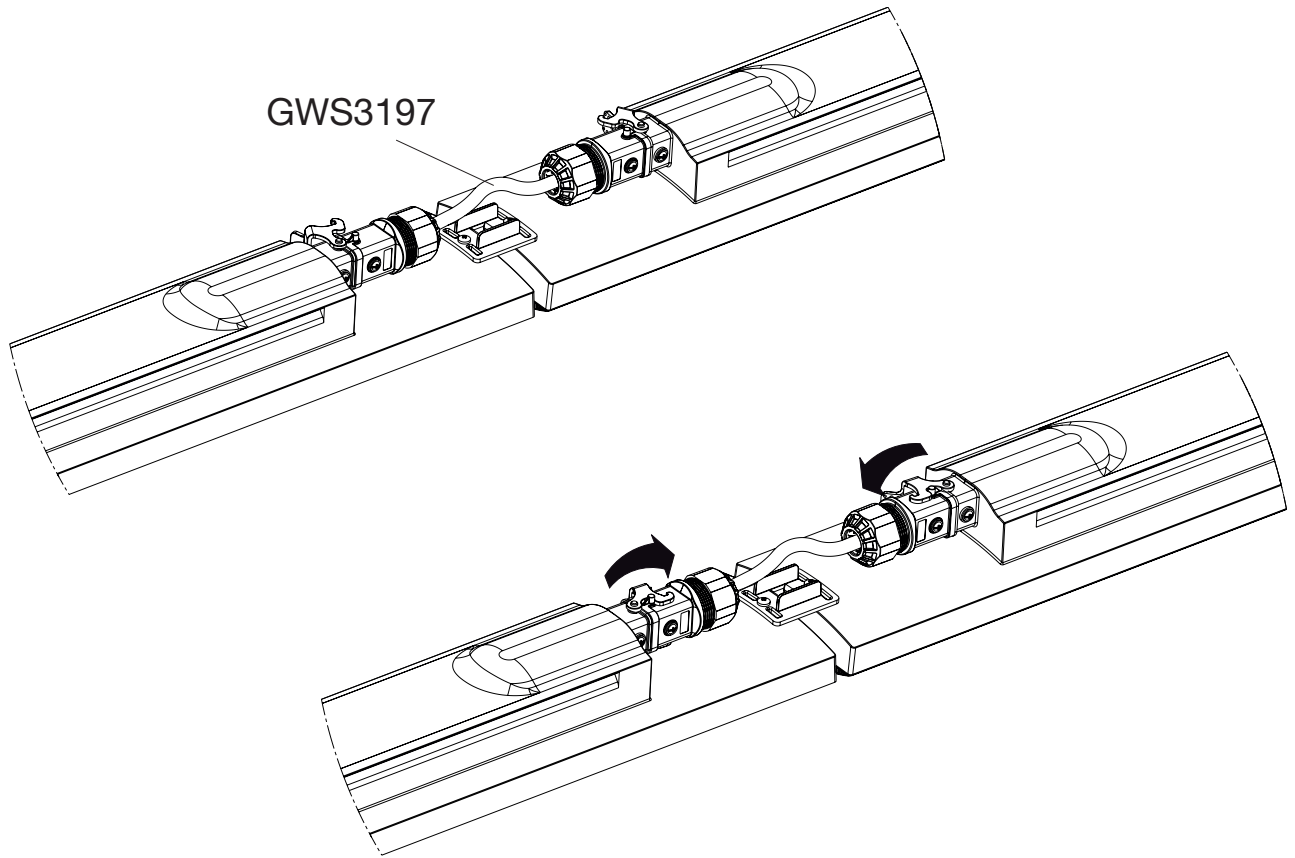


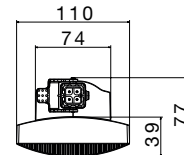
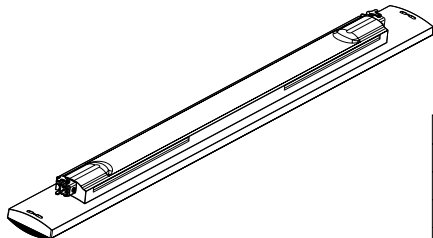
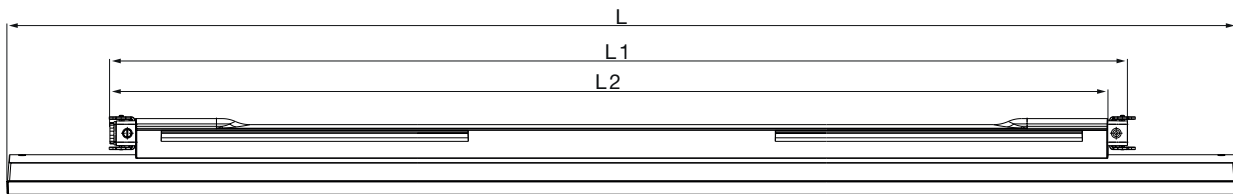
| | L |
|----------------|-------------|
| SMART [3] 800 | 250÷475 mm |
| SMART [3] 1200 | 350÷910 mm |
| SMART [3] 1600 | 500÷1270 mm |



GWS3197







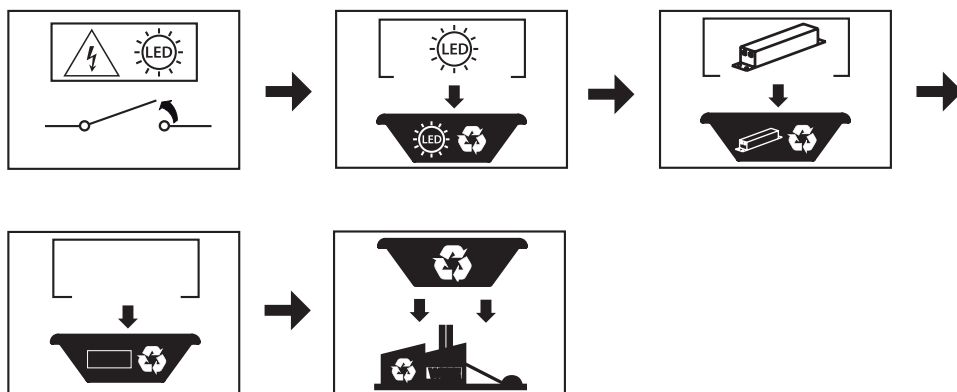
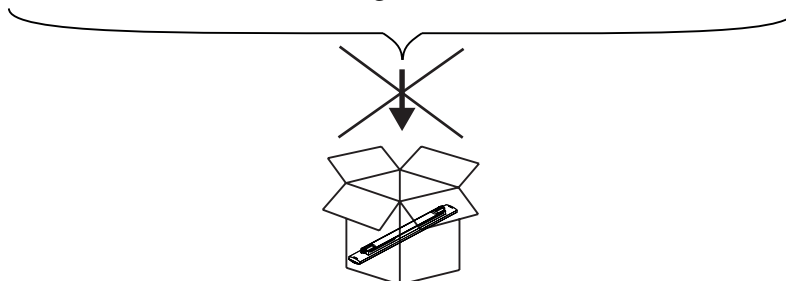
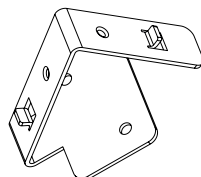
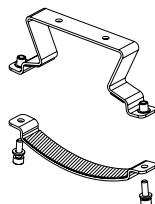
| | L | L1 | L2 |
|-------------------|------|------|------|
| SMART [3] 800 | 800 | // | 550 |
| SMART [3] 1200 | 1200 | // | 970 |
| SMART [3] 1600 | 1600 | // | 1370 |
| SMART [3] 800 LP | 800 | 590 | // |
| SMART [3] 1200 LP | 1200 | 990 | // |
| SMART [3] 1600 LP | 1600 | 1390 | // |



GWS3296

GWS3191

GWS3193



Punto di contatto indicato in adempimento ai fini delle direttive e regolamenti UE applicabili:
 Contact details according to the relevant European Directives and Regulations:
 GEWISS S.p.A. Via D.Bosatelli, 1 IT-24069 Cenate Sotto (BG) Italy tel: +39 035 946 111 E-mail: qualitymarks@gewiss.com

According to applicable UK regulations, the company responsible for placing the goods in UK market is:
 GEWISS UK LTD - Unity House, Compass Point Business Park, 9 Stocks Bridge Way, ST IVES
 Cambridgeshire, PE27 5JL, United Kingdom tel: +44 1954 712757 E-mail: gewiss-uk@gewiss.com

+39 035 946 111
 8:30 - 12:30 / 14:00 - 18:00
 lunedì - venerdì / monday - friday

www.gewiss.com

