

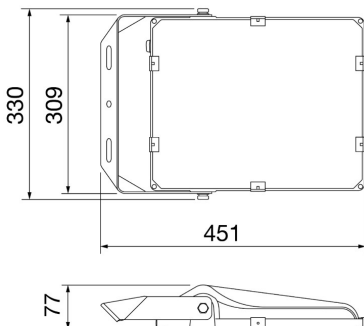
ELIA FL - Floodlight LED



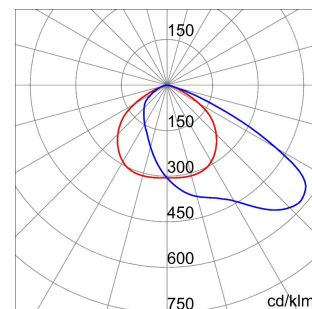
ELIA FL is a LED outdoor floodlight available in low, medium and high power versions for lighting external industrial areas, such as car parks and walkways or driveways. It can be mounted on surfaces, ceilings or on the ground using the adjustable steel bracket supplied with the device, or in the pole head version, courtesy of the dedicated accessory for poles with a diameter of up to 61mm. Crafted from black powder-coated die-cast aluminium, it is available in four sizes and powers, with integrated power supply in the On/Off or DALI options, three types of optic (30°, 60° and asymmetrical) with a colour temperature of 4,000K (neutral white) and a colour rendering index of more than 80. Tough and durable, ELIA FL has been designed to withstand surges of up to 10KV and temperature variations from -30 °C to + 50 °C, and offers protection from water and dust penetration of up to level IP66 and from shocks and impacts of up to level IK08. ELIA FL is quick and easy to install thanks to its limited weight and adjustable bracket.

GENERAL INFORMATION		OPTIC AND ILLUMINATING FEATURES	
Context	Industry, Logistic, Façade, Sport	Optyka	Asymetryczny
Luminaire	LED luminaire with small, mid and high lumen power	Unified Glare Rating	ULOR = 0%
Zastosowanie	Wewnętrzny/Zewnętrzny	Moc z oprawy (lm)	19600
Unique digital code (Datamatrix)	Currently not present	Efficiency (lm/W)	131
Kolor	Czarny	Temperatura Barwowa	4000 K
Rodzaj źródła światła	Dioda LED - Niewymienna	Color Rendering Index	CRI 80
Moc	150 W	Standard Deviation Colour Matching	SDCM = 5
LED Lifetime	L80B50 (Tq25°) = 89.000h	Photobiological Risk Class	RG0
Masa (kg)	4.5	Norma	-
Gwarancja	5 lat	ELETRICAL AND LIGHTING FEATURES	
Temperatura przechowywania	-40° +85°	Zasilanie wyjściowe	100-240 V
Operating temperature	-30° +50°	Prąd częstotliwość (Hz)	50 / 60
MATERIALS		Driver	Included
Body	Aluminium odlewane ciśnieniowo	Driver failure rate	F05 = 53.000h Tq 25°C
Typ osłony	Flat silked tempered glass 4mm thick with Gewiss logo	Overvoltage protection	Overvoltage protection 10-6kV
Optic	With high efficiency optic system	Control System	ON-OFF
Gasket	-	INSTALLATION AND MAINTENANCE	
Locking Hook	-	Mouting and installation	Ceiling - Wall - Floor
External screw	Stal nierdzewna	Tilt	With adjustable bracket assembled
Colour	Powder coating	Wiring	With power cable
STANDARDS AND APPROVALS		Mocowanie	-
Klasyfikacja	-	Optic Maintenance	Not available
Urządzenie z ograniczoną temperaturą powierzchni	-	LED Maintenance	Not available
Świadectwo wg DIN 18032-3	-	Driver Box	Wbudowana
IPEA	-	Maksymalna powierzchnia wystawiona na działanie wiatru	0.12 m²
Klasa Izolacji	I		-
Ochrona IP	IP66		-
Odporność na wstrząsy	IK08		-
Próba rozżarzoným drutem	750 °C		-

DIMENSIONAL



PHOTOMETRIC DISTRIBUTION



TECHNICAL SYMBOLOGY



0.12 m²



IP

IP66

IK

IK08

GWT

750 °C

STANDARDS/APPROVALS

Data, measures, designs and pictures are for information purpose only, last update 14/05/2021. They can be changed at any moment, therefore it is always recommended to read the last updated version published on the website www.gewiss.com. Lumen output and system power are subject to a tolerance of +/- 10%. Unless stated otherwise, the values apply to an ambient temperature of 25°C. Terms of warranty at <https://www.gewiss.com/it/en/company/landingpage/led-warranty>. - 1 of 2



Product Data Sheet
GWF1100QC840

ELIA FL - Floodlight LED

