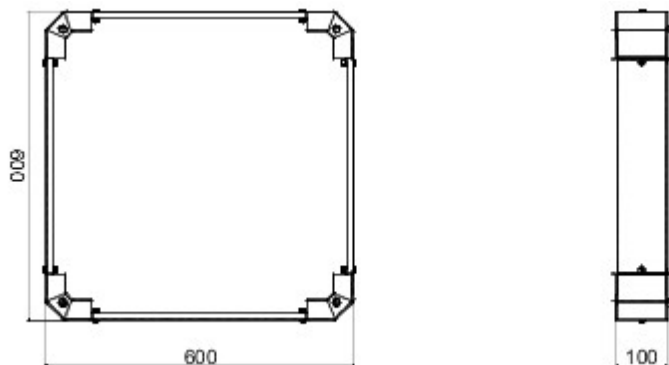


Complete system for the connection and distribution of LAN networks in residential and tertiary sector environments. The range includes fibre optic solutions, wall panels, floor cabinets and copper wiring products.
Data Center boards and cabinets are available in a wide choice of modularity and different depths (up to 1000 mm), for adapting to every application need.
Made with high quality materials (static flow at full load can reach 1000kg), the products are also characterised by their simple wiring (thanks to large internal volumes) and complete customisation, with removable and reversible front doors.

kategoria	Cokó? do szaf pod?ogowych 19"	Materia?	Stal
Wyko?czenie	Zmarszczka	Kolor	Czarny RAL 9005
Do szaf typu rack 19"	GW38451, GW38452, GW38453	?red. zewn. LxHxD (mm)	600x100x600
Electrocod	3752		

DIMENSIONAL



STANDARDS/APPROVALS



GEWISS S.p.A. Via A. Volta, 1
24069 Cenate Sotto - Bergamo - Italy
tel. +39 035 94 61 11 fax +39 035 94 69 09

www.gewiss.com
sat@gewiss.com
Last update 23/04/2024

Data, measures, designs and pictures are shown only as informative purposes, and could be changed without previous notice