



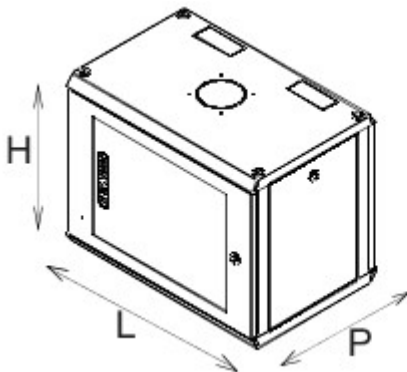
Complete system for the connection and distribution of LAN networks in residential and tertiary sector environments. The range includes fibre optic solutions, wall panels, floor cabinets and copper wiring products.

Data Center boards and cabinets are available in a wide choice of modularity and different depths (up to 1000 mm), for adapting to every application need.

Made with high quality materials (static flow at full load can reach 1000kg), the products are also characterised by their simple wiring (thanks to large internal volumes) and complete customisation, with removable and reversible front doors.

| | | | |
|------------------------|--------------------|-------------------|------------------|
| kategoria | Szafka ścienna 19" | Materiał | Stal |
| Wykończenie | Teksturowane | Kolor | Szary (RAL 7035) |
| Ciągłość okablowania | 9U | Rodzaj drzwi | Odwracalne |
| Otwór drzwiowy | 180° | Nośność statyczna | 50 Kilogramm |
| Liczba słupków | 2 | Głębokość (mm) | 400 mm |
| Śred. zewn. LxHxD (mm) | 600x470x400 | Ochrona IP | IP20 |
| Electrocod | 3752 | | |

DIMENSIONAL



| | H | L | P | |
|-----------|-----|-----|-----|-----|
| GW 38 406 | 335 | 600 | 400 | 6U |
| GW 38 407 | 470 | 600 | 400 | 9U |
| GW 38 408 | 605 | 600 | 400 | 12U |
| GW 38 409 | 740 | 600 | 400 | 15U |
| GW 38 418 | 605 | 600 | 600 | 12U |
| GW 38 419 | 740 | 600 | 600 | 15U |

TECHNICAL SYMBOLOGY

IP

IP20

STANDARDS/APPROVALS

CE