



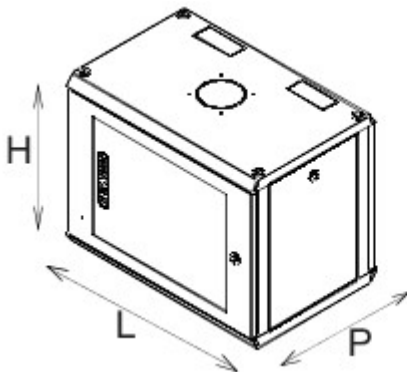
Complete system for the connection and distribution of LAN networks in residential and tertiary sector environments. The range includes fibre optic solutions, wall panels, floor cabinets and copper wiring products.

Data Center boards and cabinets are available in a wide choice of modularity and different depths (up to 1000 mm), for adapting to every application need.

Made with high quality materials (static flow at full load can reach 1000kg), the products are also characterised by their simple wiring (thanks to large internal volumes) and complete customisation, with removable and reversible front doors.

kategoria	Szafka ścienna 19"	Materiał	Stal
Wykończenie	Teksturowane	Kolor	Szary (RAL 7035)
Ciągłość okablowania	6 U	Rodzaj drzwi	Odwracalne
Otwór drzwiowy	180°	Nośność statyczna	50 Kilogramm
Liczba słupków	2	Głębokość (mm)	400 mm
Śred. zewn. LxHxD (mm)	600x335x400	Ochrona IP	IP20
Electrocod	3752		

## DIMENSIONAL



	H	L	P	
<b>GW 38 406</b>	335	600	400	6U
<b>GW 38 407</b>	470	600	400	9U
<b>GW 38 408</b>	605	600	400	12U
<b>GW 38 409</b>	740	600	400	15U
<b>GW 38 418</b>	605	600	600	12U
<b>GW 38 419</b>	740	600	600	15U

## TECHNICAL SYMBOLOGY

# IP

IP20

## STANDARDS/APPROVALS

# CE