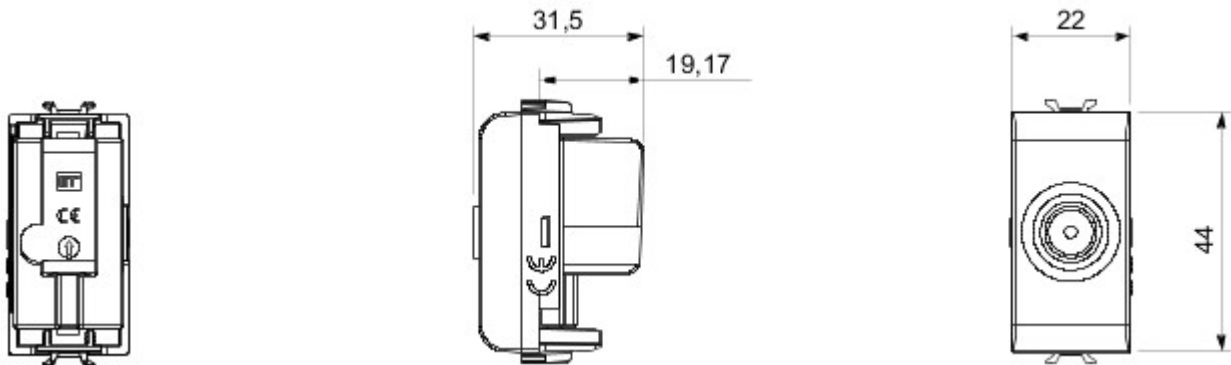




A range of ChoruSmart modular devices and plates made of antibacterial technopolymer in a glossy white finish, suitable for use in hospitals, nursing homes, schools and wherever cleanness and hygiene are essential. The effective silver-ion antibacterial treatment can reduce bacterial growth by 99% within 24 hours and has been verified by certified laboratory testing in accordance with standard ISO 22196 (analysis of major strains of Staphylococcus aureus and E. coli bacterial species).

kategoria	Gniazdo elektryczne TV	Opis	Bezpo?redni
Kolor	B?yszcz?cy bia?y	T?umienno??	0 dB
Impulsy	5-2400 MHz	Ekranowanie	Klasa A
Do przy??cza lampy	IEC-M?ski	Norma	EN 60728-4; IEC 61169-2
Liczba modu?ów Modu?y	1	Mocowanie kabli	Ze ?rub?
Obudowa	Korpus metalowy odlewany ci?nieniowo	Electrocod	0131
Materia?	Antybakteryjny tecnopolimer		

### DIMENSIONAL



### STANDARDS/APPROVALS



GEWISS S.p.A. Via A. Volta, 1  
24069 Cenate Sotto - Bergamo - Italy  
tel. +39 035 94 61 11 fax +39 035 94 69 09

www.gewiss.com  
sat@gewiss.com  
Last update 29/04/2024

Data, measures, designs and pictures are shown only as informative purposes, and could be changed without previous notice