



70 RT HP is a complete offer of rotary isolator switches from 16 A to 160 A, available in boxes both in insulating material and metal, in control or emergency versions, compatible with the main applications for residential, tertiary and industrial contexts.

DC versions for photovoltaic applications are also available from 16 A to 40 A in insulating box.

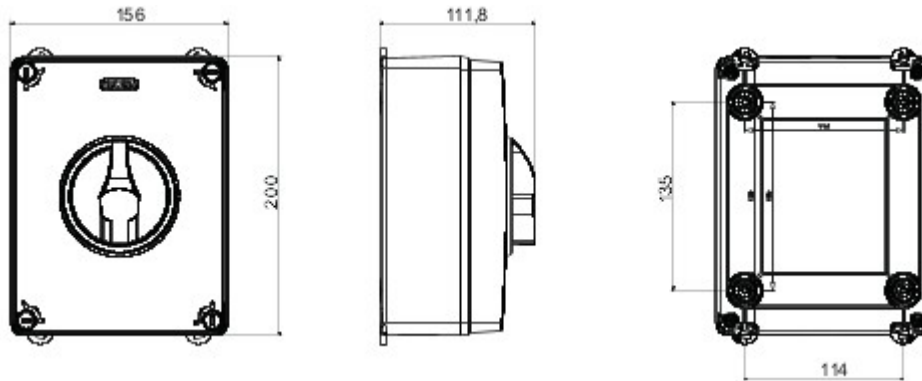
The series is completed with versions for board from 16 A to 800 A and for DIN rail fixing from 16 A to 63 A, which can be equipped with auxiliary contacts.

The devices have been designed to reduce wiring time, facilitate installation and guarantee the maximum safety and robustness even in the most demanding conditions.

Wyłączniki	Izolator obrotowy	Wersja	Skrzynka
Materiał	Izolacja	Typ	Sterowanie
Prąd znamionowy (A)	63	Liczba biegunów	3P
Kolor gałki	Czarny	Zamykany	TAK (maks. 3 blokady w trybie ON i OFF)
Ochrona IP	IP66/IP67/IP69	Odporność na wstrząsy	IK08
Temperatura otoczenia	-25 +60 °C	Śruby pokrywy (nr i typ)	4 izolacja, 1/4 obrotu
Prąd w AC21A (415V)	63	otworów wejście	2 x M25/32 + 2 x M25/32
Prąd w AC22A (415V)	63	Typ wyposażenie dodatkowe	Maks. 2 styki pomocnicze (1 na stronę)
Prąd w AC23A (415V)	63	Kabel przekrój	2,5-25 mm ²



DIMENSIONAL



TECHNICAL SYMBOLOGY

IP **IK**

IP66/IP67/IP69

IK08

STANDARDS/APPROVALS

