



| | |
|------------------------------|--------------------|
| Description | Disjoncteur moteur |
| Rated operating voltage (Ue) | 220 ... 690 V AC |
| Rated frequency (f) | 50/60 Hz |
| Rated operating current (Ie) | 6,3 A |
| Setting range (It) | 4...6,3 A |
| Nombre de pôles | 3P |
| N. de modules | 2,5 |

ELECTRICAL CHARACTERISTICS

| | |
|---|-------------------------------|
| Norme | IEC/EN 60947-2 |
| Tension d'isolement (Ui) | 690 V |
| Tension nominale tenue à l'impulsion (Uimp) | 6 kV |
| Catégorie de surtension | III |
| Pouvoir de coupure | 100 kA (6kA 500V, 3kA 690V) |
| Short circuit breaking capacity (Ics) | 100 kA (4,5kA 500V, 2kA 690V) |
| Max. back-up fuse, if Icp > Icu | 35kA 500V, 35kA 690V |
| Puissance dissipée par pôle | 2,5 W |

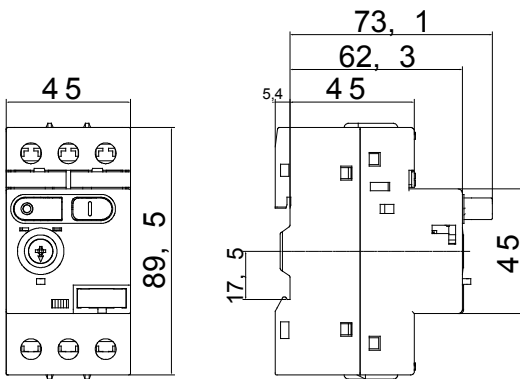
PROTECTIONS

| | |
|---------------------|--|
| Type of protection | Thermo magnetic |
| Tripping indication | The trip of the protection is signalled by the intermediate position of the START and STOP buttons |

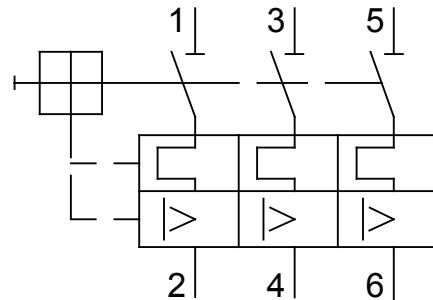
- CARACTERISTIQUES MÉCANIQUES -

| | |
|---|----------------------|
| Mounting position | Tout |
| Mechanical endurance (O-C cycle number) | 100000 |
| Electrical endurance (O-C cycle number) | 100000 (AC-3) |
| Degré IP | IP20 |
| Taux de pollution | 3 |
| Section fil rigide | <=10 mm ² |
| Section fil souple | <=6 mm ² |
| Max. conductor stripping length | 10 mm |
| Couple de serrage nominal | 2 Nm |
| Température d'utilisation | -25 +60 °C |
| Température de stockage | -25 +70 °C |

DIMENSIONS



SCHEMA ELETTRICO



NORMES ET HOMOLOGATIONS

