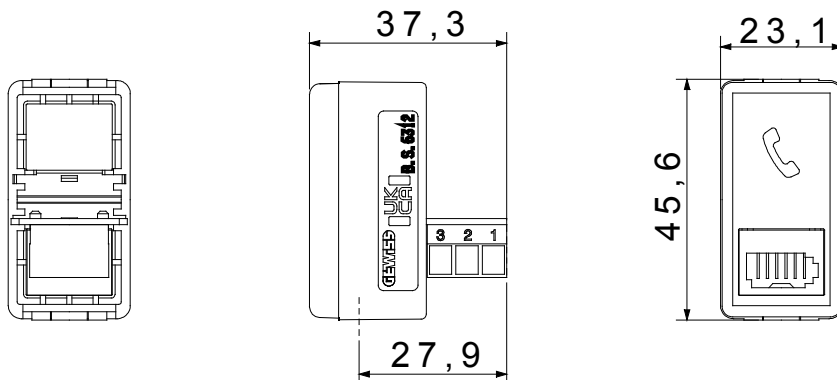




The System modular devices allow the creation of infinite combinations of devices and plates, through a complete range that covers all design, functional and installation needs. Colours and finishes: satin black, elegant and classy. The range includes control units, socket-outlets, breakers, indicators, connectors and devices for the control, safety and comfort of your home.

Catégorie	Prise téléphonique	Description	Britannique 6 contacts
Couleur	Noir	Standard	Anglais
Câbles type	-	Connexion	Bornes à vis
Nb modules System	1	Material	Technopolymère
Electrocod	3721		

### DIMENSIONS



### NORMES ET HOMOLOGATIONS

