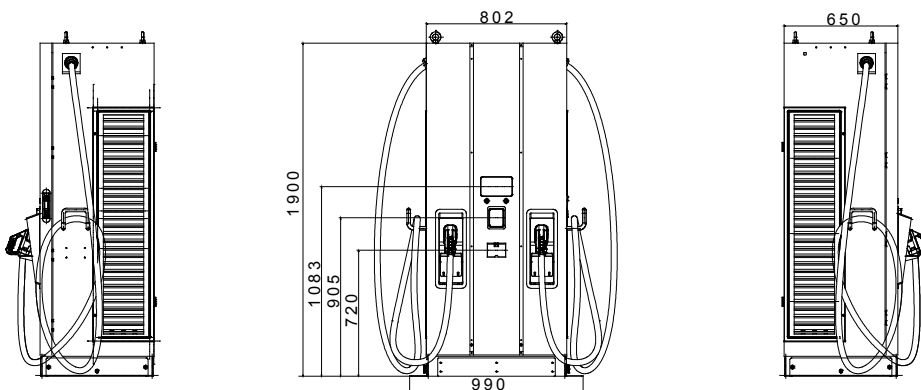




I-FAST products are JOINON's DC fast-charging solutions ideal for charging all types of electric vehicles equipped with high-voltage systems in private or public high-rotation parking lots, highways and service areas. The offer consists of wallboxes up to 30 kW and stations up to 180 kW. They feature an elegant design and finishes that make them an urban and extra-urban furnishing product, with a graphic display for a better User Experience and use of services for the EV Driver user.

<b>Power specification - AC input</b>		<b>Environmental</b>	
Input voltage	3Φ 380 + 415 Vac	Operating temperature	-30°C + +50 °C
AC input connection	3P+N+PE (Wye configuration), TN/TT	Humidity	5% + 95% RH, Non-Condensing
Max input current	3Φ 217A	Altitude	≤ 2.000 m
Frequency	50 Hz / 60 Hz	IP degree	IP55
Power factor	> 0.99	Mechanical resistance	IK10 (not including screen & RFID module)
Efficiency	>94%	Cooling method	Fan cooling
<b>Power specification - DC output</b>		<b>Mechanical</b>	
Output voltage range	CCS2:150 + 950 Vdc-GBT:150~750Vdc	Dimension	800 mm x 650 mm x 1.900 mm
Max output current	CCS2: 200A (peak 250A) GBT: 120A	Weight	≤460 kg
Maximum output power	150 kW	Cable length	4.5 m
Voltage/Current accuracy	±2%	<b>Protection</b>	
<b>User interface &amp; control</b>		Input protection	
Display	7" LCD	OVP, OCP, OPP, OTP, UVP, RCD, SPD	
Push buttons	Operation Buttons / Emergency Stop Button	Output protection	
User Authentication	OCPP 1.6 JSON, QR Code, App	SCP, OCP, OVP, LVP, OTP, IMD	
		<b>Regulation</b>	
		Accessibility	
		PAS1899:2022, subclause 5.2, Table 2, "Height range requirements" (refer to manual for more details)	
Meter	Integrated DC Meter	Safety	CE, CB
<b>Communication</b>		Certificate	
External	Ethernet, Wi-Fi and 4G	IEC 61851-1, IEC 61851-23, IEC 61851-21-2	
Internal	CAN bus / RS485	DIN 70121, ISO 15118-2, GB/T 27930	
<b>Contactless Solution</b>		-	
Payment terminal	Yes, Payter P66	-	

### DIMENSIONAL



### TECHNICAL SYMBOLOGY

# IP

IP55

IK10 (not including screen & RFID module)

STANDARDS/APPROVALS

