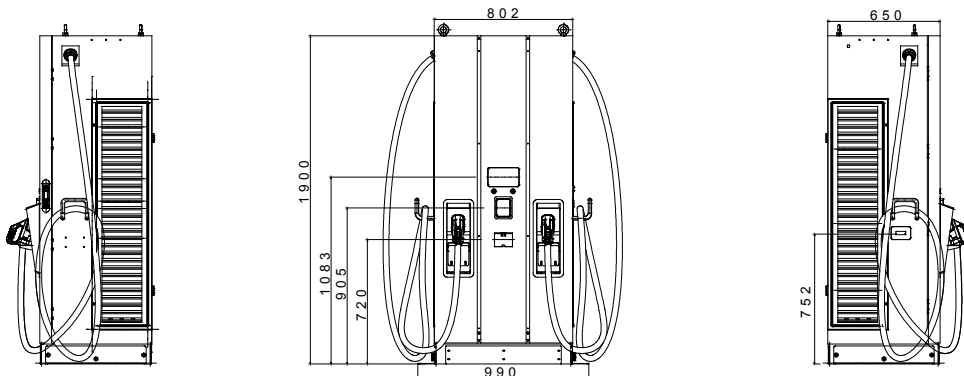




I-FAST products are JOINON's DC fast-charging solutions ideal for charging all types of electric vehicles equipped with high-voltage systems in private or public high-rotation parking lots, highways and service areas. The offer consists of wallboxes up to 30 kW and stations up to 180 kW. They feature an elegant design and finishes that make them an urban and extra-urban furnishing product, with a graphic display for a better User Experience and use of services for the EV Driver user.

Power specification - AC input		- Environmental	
Input voltage	3Φ 380 ± 415 Vac	Operating temperature	-30°C ± +50 °C
AC input connection	3P+N+PE (Wye configuration), TN/TT	Humidity	5% ÷ 95% RH, Non-Condensing
Max input current	3Φ 174A	Altitude	≤ 2.000 m
Frequency	50 Hz / 60 Hz	IP degree	IP55
Power factor	> 0.99	Mechanical resistance	IK10 (not including screen & RFID module)
Efficiency	>94%	Cooling method	Fan cooling
Power specification - DC output		- Mechanical	
Output voltage range	CCS2:150 ÷ 950 Vdc-GBT:150~750Vdc	Dimension	800 mm x 650 mm x 1.900 mm
Max output current	CCS2: 200A (peak 250A) GBT: 120A	Weight	≤420 kg
Maximum output power	120 kW	Cable length	4.5 m
Voltage/Current accuracy	±2%	- Protection	
User interface & control		Input protection	
Display	7" LCD	Output protection	
Push buttons	Operation Buttons / Emergency Stop Button	SCP, OCP, OVP, LVP, OTP, IMD	
User Authentication	OCPP 1.6 JSON, QR Code, App	- Regulation	
		Accessibility	
		PAS1899:2022, subclause 5.2, Table 2, "Height range requirements" (refer to manual for more details)	
Meter	AC MID Meter, Integrated DC Meter	Safety	CE, CB
Communication		- Certificate	
External	Ethernet, Wi-Fi and 4G	IEC 61851-1, IEC 61851-23, IEC 61851-21-2	
Internal	CAN bus / RS485	National	
		UK Public CP Regulation 2023 (manufacturer requirements)	
Contactless Solution		- -	
Payment terminal	Yes, Payter P66		

### DIMENSIONAL



### TECHNICAL SYMBOLOGY

# IP

IP55

IK10 (not including screen & RFID module)

STANDARDS/APPROVALS

