

Product Data Sheet

GWJ9236P

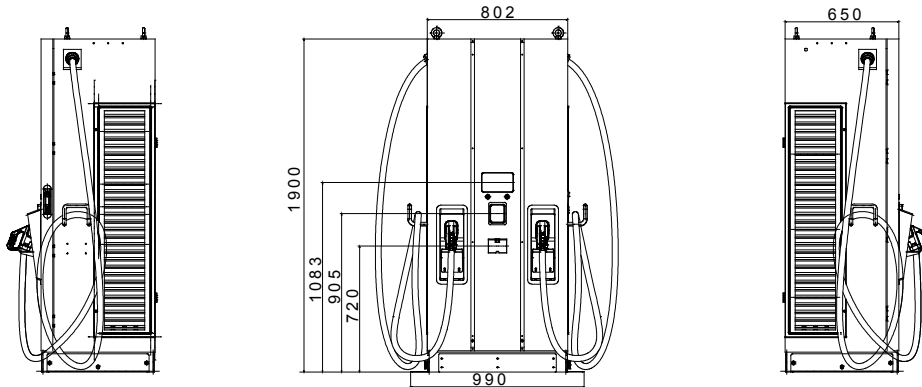
JOINON



I-FAST products are JOINON's DC fast-charging solutions ideal for charging all types of electric vehicles equipped with high-voltage systems in private or public high-rotation parking lots, highways and service areas. The offer consists of wallboxes up to 30 kW and stations up to 180 kW. They feature an elegant design and finishes that make them an urban and extra-urban furnishing product, with a graphic display for a better User Experience and use of services for the EV Driver user.

| | | | |
|--|---|---|---|
| Power specification - AC input | | Environmental | |
| Input voltage | 3Φ 380 ± 415 Vac | Operating temperature | -30°C ± +50 °C |
| AC input connection | 3P+N+PE (Wye configuration), TN/TT | Humidity | 5% ± 95% RH, Non-Condensing |
| Max input current | 3Φ 130A | Altitude | ≤ 2.000 m |
| Frequency | 50 Hz / 60 Hz | IP degree | IP55 |
| Power factor | > 0.99 | Mechanical resistance | IK10 (not including screen & RFID module) |
| Efficiency | >94% | Cooling method | Fan cooling |
| Power specification - DC output | | Mechanical | |
| Output voltage range | CCS2:150 ± 950 Vdc GBT:150~750Vdc | Dimension | 800 mm x 650 mm x 1.900 mm |
| Max output current | CCS2: 200A (peak 250A) GBT: 120A | Weight | 390 kg |
| Maximum output power | 90 kW | Cable length | 4.5 m |
| Voltage/Current accuracy | ±2% | Protection | |
| User interface & control | | Input protection | |
| Display | 7" LCD | OVP, OCP, OPP, OTP, UVP, RCD, SPD | |
| Push buttons | Operation Buttons / Emergency Stop Button | Output protection | |
| User Authentication | OCPP 1.6 JSON, QR Code, App | SCP, OCP, OVP, LVP, OTP, IMD | |
| Meter | Integrated DC Meter | Regulation | |
| Communication | | Safety | |
| External | Ethernet, Wi-Fi and 4G | Certificate | |
| Internal | CAN bus / RS485 | IEC 61851-1, IEC 61851-23, IEC 61851-21-2 | |
| | | Charging interface | |
| | | DIN 70121, ISO 15118-2, GB/T 27930 | |
| | | Contactless Solution | |
| | | Payment terminal | |
| | | Yes, Payter P66 | |

DIMENSIONAL



TECHNICAL SYMBOLOGY

IP **IK**

IP55

IK10 (not including screen & RFID module)

STANDARDS/APPROVALS



GEWISS S.p.A. Via Domenico Bosatelli 1
24069 Cenate Sotto - Bergamo - Italy
tel. +39 035 94 61 11 fax +39 035 94 69 09

www.gewiss.com
sat@gewiss.com
Last update 03/07/2024

Data, measures, designs and pictures are shown only as informative purposes, and could be changed without previous notice