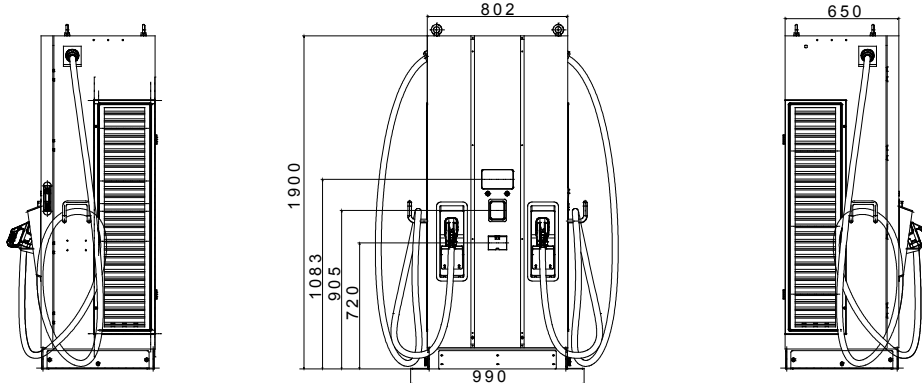




I-FAST products are JOINON's DC fast-charging solutions ideal for charging all types of electric vehicles equipped with high-voltage systems in private or public high-rotation parking lots, highways and service areas. The offer consists of wallboxes up to 30 kW and stations up to 180 kW. They feature an elegant design and finishes that make them an urban and extra-urban furnishing product, with a graphic display for a better User Experience and use of services for the EV Driver user.

| | | | |
|--|--|-----------------------------|---|
| Power specification - AC input | | Environmental | |
| Input voltage | 3Φ 380 ± 415 Vac | Operating temperature | -30°C ÷ +50 °C |
| AC input connection | 3P+N+PE (Wye configuration), TN/TT | Humidity | 5% ÷ 95% RH, Non-Condensing |
| Max input current | 3Φ 130A | Altitude | ≤ 2.000 m |
| Frequency | 50 Hz / 60 Hz | IP degree | IP55 |
| Power factor | > 0.99 | Mechanical resistance | IK10 (not including screen & RFID module) |
| Efficiency | >94% | Cooling method | Fan cooling |
| Power specification - DC output | | Mechanical | |
| Output voltage range | CCS2: 150 ÷ 950 Vdc CHAdeMO: 150~500Vdc | Dimension | 800 mm x 650 mm x 1.900 mm |
| Max output current | CCS2: 200A (peak at 250A) CHAdeMO: 120A | Weight | 390 kg |
| Maximum output power | 90 kW | Cable length | 4.5 m |
| Voltage/Current accuracy | ±2% | Protection | |
| User interface & control | | Input protection | OVP, OCP, OPP, OTP, UVP, RCD, SPD |
| Display | 7" LCD | Output protection | SCP, OCP, OVP, LVP, OTP, IMD |
| Push buttons | Operation Buttons / Emergency Stop Button | Regulation | |
| User Authentication | OCPP 1.6 JSON, QR Code, App | Safety | CE, CB |
| Meter | Integrated DC Meter | Certificate | IEC 61851-1, IEC 61851-23, IEC 61851-21-2 |
| Communication | | Charging interface | DIN 70121, ISO 15118-2 |
| External | Ethernet, Wi-Fi and 4G | Contactless Solution | |
| Internal | CAN bus / RS485 | Payment terminal | Yes, Payter P66 |

DIMENSIONAL



TECHNICAL SYMBOLOGY

IP

IP55

IK10 (not including screen & RFID module)

STANDARDS/APPROVALS

