

# Product Data Sheet

## GWJ9233M

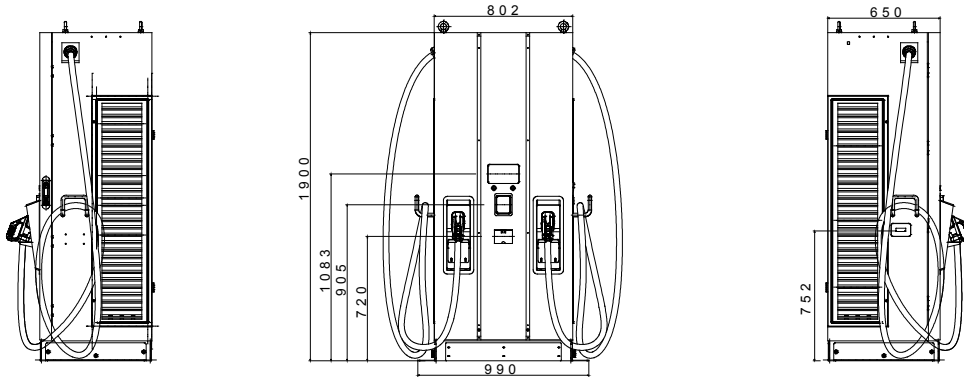
JOINON



I-FAST products are JOINON's DC fast-charging solutions ideal for charging all types of electric vehicles equipped with high-voltage systems in private or public high-rotation parking lots, highways and service areas. The offer consists of wallboxes up to 30 kW and stations up to 180 kW. They feature an elegant design and finishes that make them an urban and extra-urban furnishing product, with a graphic display for a better User Experience and use of services for the EV Driver user.

<b>Power specification - AC input</b>		<b>Environmental</b>	
Input voltage	3Φ 380 ± 415 Vac	Operating temperature	-30°C ± +50 °C
AC input connection	3P+N+PE (Wye configuration), TN/TT	Humidity	5% ± 95% RH, Non-Condensing
Max input current	3Φ 130A	Altitude	≤ 2.000 m
Frequency	50 Hz / 60 Hz	IP degree	IP55
Power factor	> 0.99	Mechanical resistance	IK10 (not including screen & RFID module)
Efficiency	>94%	Cooling method	Fan cooling
<b>Power specification - DC output</b>		<b>Mechanical</b>	
Output voltage range	CCS2: 150 ± 950 Vdc CHAdeMO: 150~500Vdc	Dimension	800 mm x 650 mm x 1.900 mm
Max output current	CCS2: 200A (peak at 250A) CHAdeMO: 120A	Weight	390 kg
Maximum output power	90 kW	Cable length	4.5 m
Voltage/Current accuracy	±2%	<b>Protection</b>	
<b>User interface &amp; control</b>		Input protection	
Display	7" LCD	OVP, OCP, OPP, OTP, UVP, RCD, SPD	
Push buttons	Operation Buttons / Emergency Stop Button	Output protection	
User Authentication	RFID: support ISO 14443A/B, ISO 15693, FeliCa Lite-S (RCS966), OCPP 1.6 JSON, QR Code, App	SCP, OCP, OVP, LVP, OTP, IMD	
Meter		<b>Regulation</b>	
AC MID Meter, Integrated DC Meter		Safety	
		Certificate	
		IEC 61851-1, IEC 61851-23, IEC 61851-21-2	
<b>Communication</b>		Charging interface	
		DIN 70121, ISO 15118-2	
External		<b>Contactless Solution</b>	
Ethernet, Wi-Fi and 4G			
Internal		Payment terminal	
CAN bus / RS485		No	

### DIMENSIONAL



### TECHNICAL SYMBOLOGY

**IP**      **IK**

IP55

IK10 (not including screen & RFID module)

### STANDARDS/APPROVALS



GEWISS S.p.A. Via Domenico Bosatelli 1  
24069 Cenate Sotto - Bergamo - Italy  
tel. +39 035 94 61 11 fax +39 035 94 69 09

www.gewiss.com  
sat@gewiss.com  
Last update 03/07/2024

Data, measures, designs and pictures are shown only as informative purposes, and could be changed without previous notice