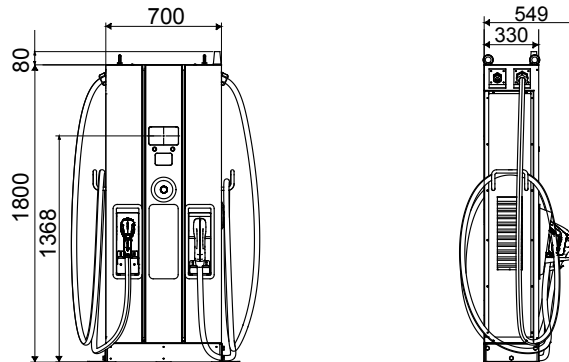




I-FAST products are JOINON's DC fast-charging solutions ideal for charging all types of electric vehicles equipped with high-voltage systems in private or public high-rotation parking lots, highways and service areas. The offer consists of wallboxes up to 30 kW and stations up to 180 kW. They feature an elegant design and finishes that make them an urban and extra-urban furnishing product, with a graphic display for a better User Experience and use of services for the EV Driver user.

Power specification - AC input		- Environmental	
Input voltage	3 Φ 380 + 415 Vac	Operating temperature	-30°C + +50°C
AC input connection	3P+N+PE (Wye configuration), TN/TT	Humidity	5% ÷ 95% RH, Non-Condensing
Max input current	3 Φ 86A	Altitude	≤ 2.000 m
Frequency	50 Hz / 60 Hz	IP degree	IP55
Power factor	> 0.99	Mechanical resistance	IK10 (not including screen & RFID module)
Efficiency	>94%	Cooling method	Fan cooling
Power specification - DC output		- Mechanical	
Output voltage range	CCS2: 150 + 950 Vdc	Dimension	700 mm x 330 mm x 1.800 mm
Max output current	CCS2: 120A	Weight	235 kg
Maximum output power	60 kW	Cable length	4 m
Voltage/Current accuracy	±2%	- Protection	
User interface & control		Input protection	OVP, OCP, OPP, OTP, UVP, RCD, SPD
Display	7" graphic	Output protection	SCP, OCP, OVP, LVP, OTP, IMD
Push buttons	Operation Buttons / Emergency Stop Button	- Regulation	
User Authentication	RFID: support ISO 14443A/B, ISO 15693, FeliCa Lite-S (RCS966), OCPP 1.6 JSON, QR Code, App	Safety	CE, CB
Meter	Integrated DC Meter	Certificate	IEC 61851-1, IEC 61851-23, IEC 61851-21-2
Communication		Charging interface	DIN 70121, ISO 15118-2
External	Ethernet, Wi-Fi and 4G	- Contactless Solution	
Internal	CAN bus / RS485	Payment terminal	No

DIMENSIONAL



TECHNICAL SYMBOLOGY

IP

IK

IP55

IK10 (not including screen & RFID module)

STANDARDS/APPROVALS

