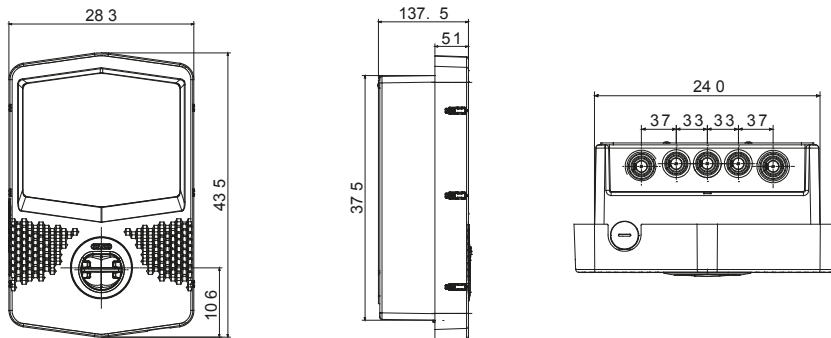




I-CON EVO wallboxes are JOINON solutions designed to integrate into private and semi-public scenarios in accordance with the international standard IEC 61851-1 ed. 3. They are distinguished by both an elegant and compact design and special "one-hand charge" functionality. At the same time, the presence of a vandal-proof socket and IP55 degree combined with IK11-certified mechanical strength make them safe and reliable solutions. In addition, I-CON EVO wallboxes feature full connectivity to support the related JOINON EVO App for full and easy control of charging, intelligent management of loads and additional energy produced by any photovoltaic panels (also in Master/Slave mode), and several installation options: wall-mounted, flush-mounted, or floor-mounted.

Charging way	Mode 3	Charging sockets	Type 2
Connector type	Fixed socket (IPxxD)	Cable length (if available)	-
Electrical and Mechanical Characteristics		- Terminal blocks	5 x 16 mm ²
Nominal tension	400 V	Total Maximum Current	32 A
Power max.	22 kW	User protection	DC Leakage 6mA
Meter	-	Installation	Wall / Flush / Floor mounting
Material	POST-INDUSTRIAL recycled material	IP degree	IP55
Mechanical resistance	IK11	Operating temperature	From -25°C to +55°C
Functional characteristics		- Connectivity	Wifi+Ethernet
Comunication	OCPP 1.6J	Load Management	DLM/PV BOOST
Charging activation	RFID or APP	Human Interface	LED
Master/Slave	Yes	"Over-the-air" updates	Yes
Programmable Remote Contact	Yes	Local directives	-
Accessories available		- DLM CT KIT for enterprise installation GWJ8037 Single-phase / GWJ8038 Three-phase	
Flush mounting backbox	GWJ8101	Single-sided floor support	GWJ8102
Double-sided floor support	GWJ8103	Protective cover	-
RFID Card	GWJ8002	4G modem kits	GWJ8111

DIMENSIONAL



TECHNICAL SYMBOLOGY

IP

IP55

IK

IK11

STANDARDS/APPROVALS

