

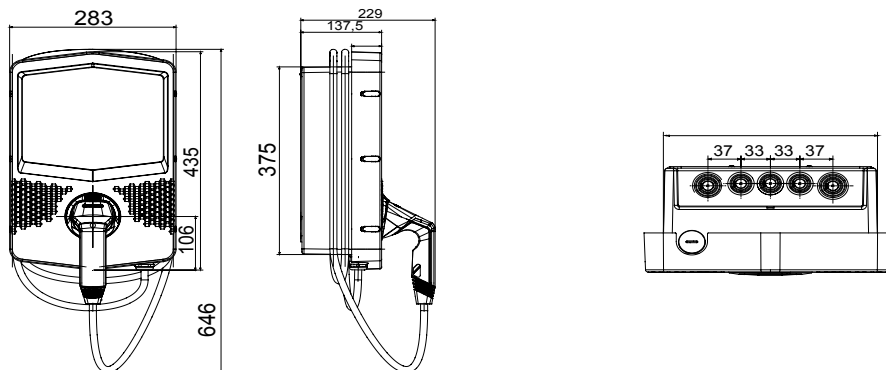


I-CON wallboxes are JOINON solutions designed to integrate into private and semi-public scenarios in compliance with the international standard IEC 61851-1 ed. 3. They feature an elegant and compact design, special "one-hand charge" functionality and the presence of a vandal-proof socket, IP55 degree combined with IK10-certified mechanical resistance, full connectivity to support the dedicated JOINON App for a complete and easy charging control, intelligent load management and energy produced by any photovoltaic panels (also in Master/Slave mode), and different installation options: wall, recessed or floor.

|                                      |                        |                               |   |
|--------------------------------------|------------------------|-------------------------------|---|
| <b>INPUT</b>                         |                        | - Socket/Connector Nr. (Type) | 1 (Type 2 connector with 5 mt. cable)       |
| Terminal blocks                      | 3 x 10 mm <sup>2</sup> | Charging activation           | Free access, with dynamic load management   |
| Rated current                        | 32 A                   | Human Interface               | LED RGB + slide touch display               |
| Total power                          | 7.4 Kilowatt           | Connectivity                  | BLE   |
| <b>OUTPUT</b>                        |                        | <b>MECHANICAL FACTS</b>       | -   |
| Rated voltage                        | 230 V                  | Mounting and installation     | Wall mounting (floor mounting with support) |
| Current supplied (max)               | 32 A                   | Colour                        | Dark grey                                   |
| Maximum current                      | 7.4 Kilowatt           | Material                      | Thermoplastic (Post-industrial origin)      |
| Thermal-magnetic protection          | Currently not present  | External treatments           | No  |
| Type of residual current protection  | Currently not present  | IP degree                     | IP55  |
| Power meter                          | Currently not present  | Mechanical resistance         | IK10  |
| DC Leakage check                     | Yes                    | Operating temperature         | -25 +50 °C                                  |
| (Auto)restart electrical protections | Currently not present  | Customizations                | No  |

### DIMENSIONAL

40



### TECHNICAL SYMBOLOGY

**IP**

**IK**

IP55

IK10

### STANDARDS/APPROVALS

