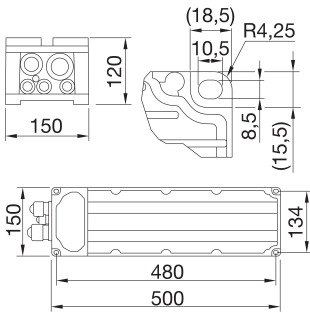


DMX POWER SUPPLY UNIT FOR STADIUM PRO 3

Insulation class	I	IP degree	IP66
Mechanical resistance	IK08	Voltage	220-400 V - 50/60 Hz
Versions	DMX	Description	Stadium PRO 3 DMX 400V power pack
Weight (kg)	6.1	Series	Stadium PRO 3
Application	Indoor / Outdoor	Number of modules	3M
Maximum surface exposed to the wind	0.075 m ²	Warranty	5 years
Operating temperature	-25 +50 °C	Overvoltage resistance	DM 10KV / CM 10KV
Driver failure rate	F10 = 50.000h Tq25°C		

DIMENSIONAL



PHOTOMETRIC DISTRIBUTION

TECHNICAL SYMBOLOGY



IP

IP66

IK

IK08



0.075 m²



5 YEARS WARRANTY

STANDARDS/APPROVALS

