



SMART [PRO] 2.0 is a medium power outdoor and indoor LED projector, suitable for lighting sports areas and facilities. It can be installed on the wall, ceiling or ground thanks to the polyester powder coated galvanised steel bracket, with trivalent passivation, equipped with adjustable goniometric scale and supplied in kit. The body is produced in aluminium die casting

EN AB 46100, with integrated passive heat sink, powder coated polyester with trivalent passivation. Metal core PCB with CSP LED.

Reflector made of metallic HT PC or anodised and polished aluminium. Hardened front glass with 4mm thickness, anti-ageing silicone seals and A2 stainless steel exterior screws. Plastic venting and anti-condensation device. Electrical connection via IP68 connector for 1.5mm² cables. Insulation class 1.

Driver integrated in options 1-10 V or DALI. Available with nine different types of optics, three types of Colour Temperature (3,000K/4,000K/5,700K) and two different types of Chromatic Yield Index (CRI>70, CRI>80). Designed to withstand surges up to 5KV (RCCB mode) and 10KV (common mode), temperature variations from -30°C to +50°C, water and dust penetration up to IP66 protection and impacts up to IK08.

GENERAL INFORMATION

| | |
|----------------------------------|--|
| Context | Sport, Big Areas |
| Luminaire | LED luminaire with small, mid and high lumen power |
| Application | Indoor / Outdoor |
| Unique digital code (Datamatrix) | Currently not present |
| Colour | Graphite grey |
| Type of light source | LED |
| System power | 165 W |
| LED Lifetime | L90B10(Tq25°C)=50.000h; L80B10 (Tq25°C)=110.000h |
| Weight (kg) | 5.7 |

| | |
|-----------------------|------------|
| Warranty | 5 years |
| Stocking temperature | - |
| Operating temperature | -30 +40 °C |

MATERIALS

| | |
|----------------|--|
| Body | Die-cast aluminium |
| Shield type | Flat tempered glass 4mm |
| Optic | Polished quartz and metallized PC HT reflector |
| Gasket | Anti-aging silicone |
| Locking Hook | Hexagonal metric screws |
| External screw | Stainless steel |

| | |
|--------|-------------------------|
| Colour | Polyester powder coated |
|--------|-------------------------|

| | |
|---|-----------|
| STANDARDS AND APPROVALS | |
| Classification | - |
| Device with reduced surface temperature | Yes |
| DIN 18032-3 certification | Available |
| IPEA | - |
| Insulation class | I |
| IP degree | IP66 |
| Mechanical resistance | IK08 |
| Glow Wire Test | - |

OPTIC AND ILLUMINATING FEATURES

| | |
|------------------------------------|--|
| Optic | S1 - Symmetric Wide |
| Unified Glare Rating | G*6 - ULOR = 0 |
| Lumen output (lm) | 18300 |
| Efficacy (lm/W) | 111 |
| Colour temperature | 5700 K |
| Colour Rendering Index | CRI>80 |
| Standard Deviation Colour Matching | SDCM = 3 |
| Photobiological Risk Class | - |
| Standard | EN60598-1; EN60598-2-5; EN60598-2-24; IEC 62778; IEC62471; EN13201 |

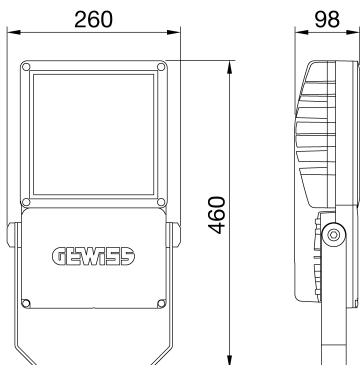
ELECTRICAL AND LIGHTING FEATURES

| | |
|------------------------|-----------------------|
| Supply voltage | 220 - 240 V |
| Rated frequency (Hz) | 50 / 60 |
| Driver | Included |
| Driver failure rate | F10 = 100.000h Tq25°C |
| Overvoltage protection | DM 6 kV / CM 10 kV |
| Control System | Stand Alone - 1/10V |

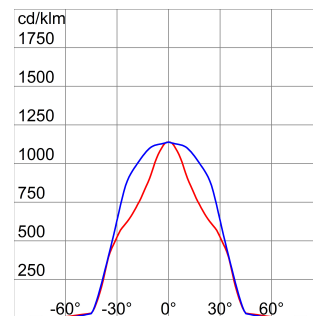
INSTALLATION AND MAINTENANCE

| | |
|-------------------------------------|---|
| Mounting and installation | High-mast lighting - Wall mounting - Ground mouting |
| Tilt | Rotation on bracket with integrated goniometer |
| Wiring | Watertight connector |
| Fixing | Bracket |
| Light source replaceability | By professional |
| Controlgear replaceability | By professional |
| Driver Box | Built-in |
| Maximum surface exposed to the wind | 0,085 m ² |

DIMENSIONAL



PHOTOMETRIC DISTRIBUTION



TECHNICAL SYMBOLOGY




0,085 m2



IP
IP66

IK
IK08

GWT
-

STANDARDS/APPROVALS

