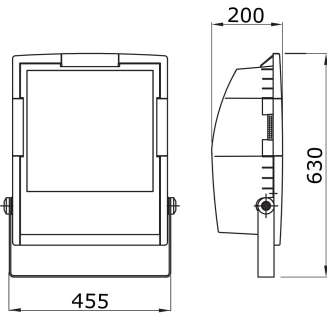




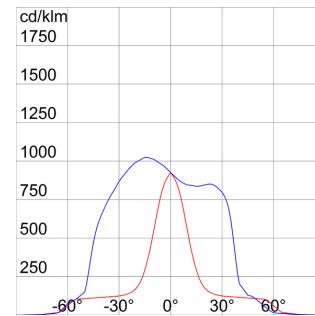
Thermoplastic outdoor floodlight in smoke grey color with hot galvanized bracket painted the same color of the body. Equipped with graduate scale to facilitate orientation. Flat tempered glass 4 mm thickness silk screen printed; hinged to the body for quick access inside the floodlight. Anti-aging silicone gasket. Power input through PG 13,5 for cables Ø 6.5 ÷ 13 mm. Optic in 99.85% polished and anodised aluminium. Electrical component plate in galvanized steel. Bipolar terminal block for cable 4 mm².

| | | | |
|--|------------|---------------------------------------|---------------------------------|
| Application | External | IP degree | IP65 |
| Mechanical resistance | IK09 | Insulation class | II |
| Glow Wire Test | 650 °C | Maximum surface exposed to the wind | 0.235 m ² |
| Minimum distance from the illuminated object | 1 m | Weight (kg) | 11.9 |
| Colour | Smoke grey | Voltage | 230 V - 50 Hz |
| Lamp power | 400 W | Lamp current | 4.2 A |
| Lamp holder | E40 | Lamp supplied | MT |
| Lamp included | Yes | Efficiency class of the lamp supplied | A |
| Efficiency class of compatible lamps | A ÷ A+ | Optic | Symmetrical diffused - ULOR: 0% |
| Light pollution | 0 cd/Klm | Warranty | 5 years |
| Electrocod | 2443 | | |

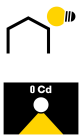
DIMENSIONAL



PHOTOMETRIC DISTRIBUTION



TECHNICAL SYMBOLOGY



IP
IP65



IK
IK09



GWT
650 °C



0.235 m²



1 m



STANDARDS/APPROVALS

