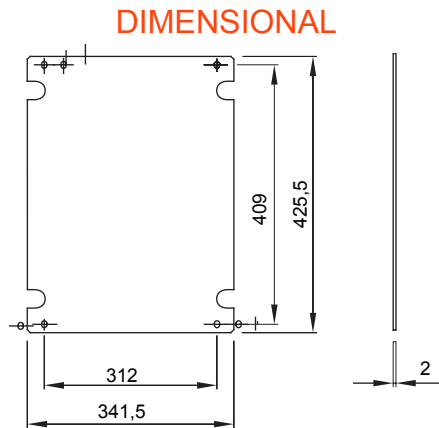


| | | | |
|---------------------|------------------|------------|--------|
| For boards LxH (mm) | 396x474 | For boards | 44 CEP |
| Type of material | Galvanized metal | Electrocod | 1320 |



STANDARDS/APPROVALS

