



Description Interruttore automatico scatolato
 Code MSXE 1250
 No. of poles 4P
 Rated current 1250 A
 Release Electronic

ELECTRICAL CHARACTERISTICS

Standard	IEC/EN 60947-2
Use category	B
Rated frequency (Hz)	50 / 60
Rated operating voltage (Ue)	690 Vac
Rated impulse withstand voltage (Uimp)	8 kV
Overvoltage category	IV
Insulation voltage (Ui)	800 V
Thermal regulation	0,4 - 0,5 - 0,63 - 0,8 - 0,9 - 0,95 - 1 x In
Magnetic regulation	Electronic LSI
Neutral protection	50% - 100% x Ir
Total power loss	281.24 W
Rated short-circuit current making capacity (Icm)	15 kA
Rated short-time withstand current for 0,3s (Icw)	-
I _{dn} regulation	-
DT regulation	-

SERVICE BREAKING CAPACITY (ICU)

220/240Vac	100 kA
400/415Vac	70 kA
440Vac	65 kA
525Vac	45 kA
690Vac	25 kA
250Vdc	-

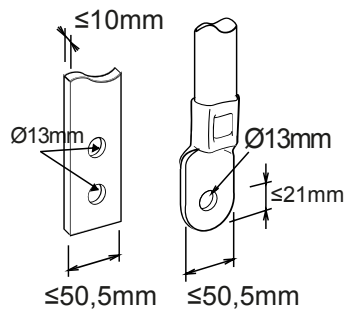
MECHANICAL CHARACTERISTICS

Execution	Fixed
DIN rail mounting	No
Can be equipped with motor operator	Yes
Compatible interlock	-
Terminals supplied	Front FB Extended
Assembly position	Any
Upline/downline power supply	Yes
Electrical life (415Vac)	4.000 cycles
Mechanical life	5.000 cycles
Operating temperature	-5°C +65°C
Stocking temperature	-20° +65°
Weight (kg)	25
Width	280 mm
Height	370 mm
Depth	120 mm

RATED BREAKING CAPACITY (ICS)

220/240Vac	100 kA	220/240Vac	75 kA
400/415Vac	70 kA	400/415Vac	50 kA
440Vac	65 kA	440Vac	50 kA
525Vac	45 kA	525Vac	34 kA
690Vac	25 kA	690Vac	20 kA
250Vdc	-	250Vdc	-

DIMENSIONAL





Product Data Sheet

GWD9583

MSX

STANDARDS/APPROVALS

