



Description Interruttore automatico scatolato

Code MSXE 160

No. of poles 3P

Rated current 160 A

Release Electronic

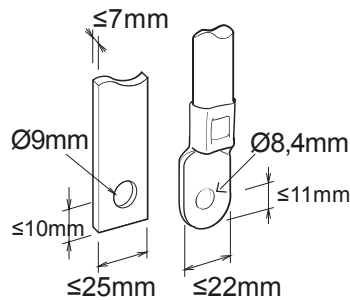
#### ELECTRICAL CHARACTERISTICS

ELECTRICAL CHARACTERISTICS		MECHANICAL CHARACTERISTICS	
Standard	IEC/EN 60947-2	Execution	Fixed - Plug-in
Use category	A	DIN rail mounting	No
Rated frequency (Hz)	50 / 60	Can be equipped with motor operator	Yes
Rated operating voltage (Ue)	690 Vac	Compatible interlock	Lever - Cable
Rated impulse withstand voltage (Uimp)	8 kV	Terminals supplied	Front FC
Overtoltage category	IV	Assembly position	Any
Insulation voltage (Ui)	800 V	Upline/downline power supply	Yes
Thermal regulation	0,4 - 0,5 - 0,63 - 0,8 - 0,9 - 0,95 - 1 x In	Electrical life (415Vac)	10.000 cycles
Magnetic regulation	Electronic LSI	Mechanical life	30.000 cycles
Neutral protection	-	Operating temperature	-5°C +65°C
Total power loss	26.88 W	Stocking temperature	-20° +65°
Rated short-circuit current making capacity (Icm)	-	Weight (kg)	2.3
Rated short-time withstand current for 0,3s (Icw)	-	Width	105 mm
I <sub>dn</sub> regulation	-	Height	165 mm
DT regulation	-	Depth	103 mm

#### SERVICE BREAKING CAPACITY (ICU)

SERVICE BREAKING CAPACITY (ICU)		RATED BREAKING CAPACITY (ICS)	
220/240Vac	150 kA	220/240Vac	150 kA
400/415Vac	125 kA	400/415Vac	85 kA
440Vac	120 kA	440Vac	80 kA
525Vac	45 kA	525Vac	45 kA
690Vac	20 kA	690Vac	15 kA
250Vdc	-	250Vdc	-

### DIMENSIONAL





Product Data Sheet

GWD9507

MSX

STANDARDS/APPROVALS

