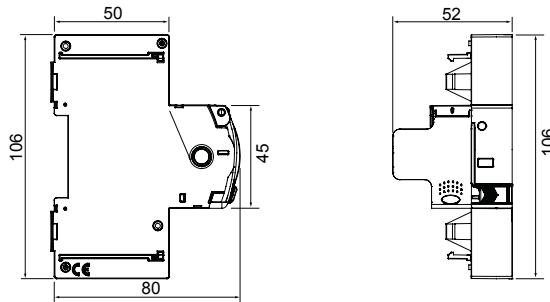




Description Automatic reclosing device  
 Code ReStart Rm PRO 2P  
 Suitable for RCBO's MDC - 1P+N/2P - 30 mA  
 Rated voltage AC 230 V  
 Rated current 6 - 10 - 13 - 16 - 20 -25 - 32 A  
 No. modules 1  
 Standard EN 50557  
 Rated frequency (Hz) 50 - 60 Hz

|   |  |   |                    |
|---|--|---|--------------------|
| Distribution system                                     | TT - TN-S  | Rated non-operating resistance between live parts and earth (Rdo) | 8kΩ                |
| Insulation voltage (Ui)                                 | 500 V  | Rated operating resistance between live parts and earth (Rd)      | 16 kΩ              |
| Rated impulse withstand voltage (Uimp)                  | 4 kV   | Maximum operating frequency                                       | 30 oper./h         |
| Overvoltage category                                    | III  | Mechanical endurance  | 4000               |
| Dielectric strength test voltage between pole and earth | 2500 Vac for 1 minute                                | Type of residual current protection                               | AC - A - A[IR] - F |
| Rated residual operating current                        | 30 mA  | Operating temperature   | -5 +60 °C          |
| Stocking temperature                                    | -40 +70 °C   | Automatic reclosure for untimely tripping                         | Yes                |
| Earth failure test                                      | Yes  | Continuous system monitoring                                      | Yes                |
| Completeable with                                       | GWD0951 Auxiliary contact - GW90992 RS485 BUS Module | Number of poles   | 2P                 |
| Electrocod  | 1414   |   |                    |

### DIMENSIONAL



### STANDARDS/APPROVALS

