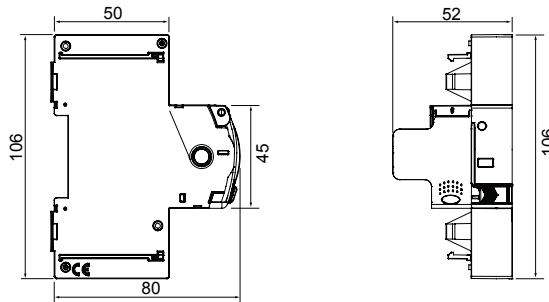




Description Automatic reclosing device
 Code ResStart Rd PRO 2P
 Suitable for IDP RCCBs - 2P up to 63 A - 100/300/500 mA
 Rated voltage AC 230 V
 Rated current 25 - 40 - 63 - 80 - 100 A
 Rated current 0 A
 No. modules 1
 Standard EN 50557

| | | | |
|---|---------------------------|---|--|
| Rated frequency (Hz) | 50 - 60 Hz | Distribution system | TT - TN-S |
| Rated non-operating resistance between live parts and earth (Rdo) | 2,5 kΩ | Insulation voltage (Ui) | 500 V |
| Rated operating resistance between live parts and earth (Rd) | 5 kΩ | Rated impulse withstand voltage (Uimp) | 4 kV |
| Maximum operating frequency | 30 oper./h | Overvoltage category | III |
| Mechanical endurance | 4000 | Dielectric strength test voltage between pole and earth | 2500 Vac for 1 minute |
| Type of residual current protection | AC - A - A[IR] - A[S] - F | Rated residual operating current | 100/300/500 mA |
| Operating temperature | -5 +60 °C | Stocking temperature | -40 +70 °C |
| Automatic reclosure for untimely tripping | Yes | Earth failure test | Yes |
| Continuous system monitoring | Yes | Completeable with | GWD0951 Auxiliary contact - GW90992 RS485 BUS Module |
| Number of poles | 2P | Electrocod | 1414 |

DIMENSIONAL



STANDARDS/APPROVALS

