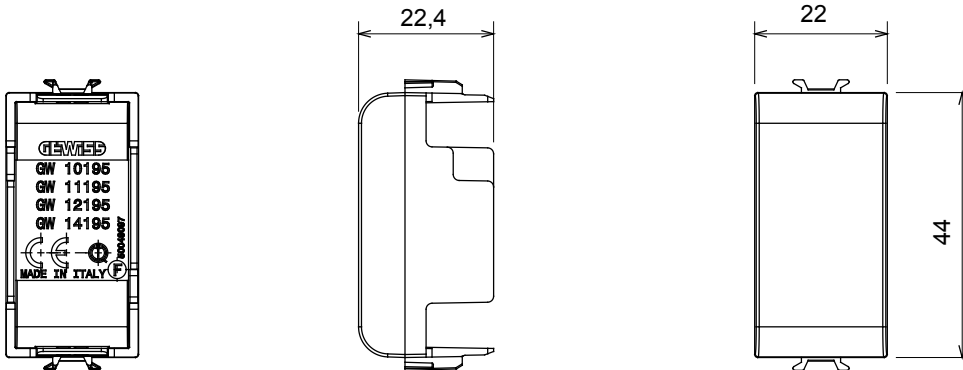




Accessory for ChoruSmart connected devices: allows you to install the retractable devices in the supports.

| | | | |
|---------------------------|-----------------|----------------|---------------------------------------|
| Description | 1 module | Category | Blanking module |
| Colour | Glossy Titanium | Material | Technopolymer |
| Symbol | Radio frequency | Suitable for | Contacts interfaces, Zigbee actuators |
| Thermo-pressure with ball | 125 °C | Glow Wire Test | 850 °C |
| Standard | EN 60669-1 | No. modules | 1 |
| Electrocod | 0100 | | |

DIMENSIONAL



TECHNICAL SYMBOLOGY



STANDARDS/APPROVALS

