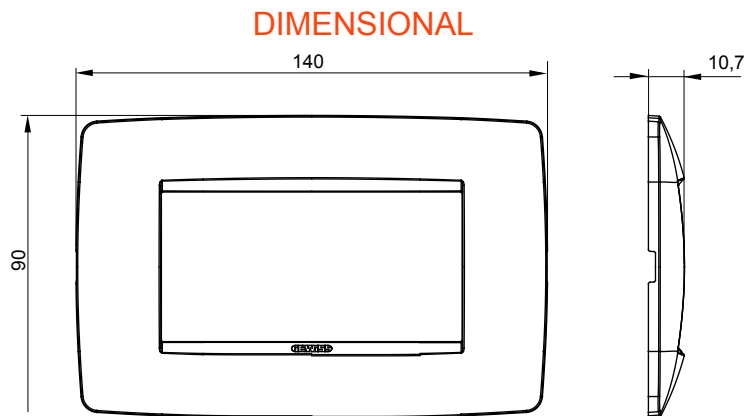




A range of ChoruSmart modular devices and plates made of antibacterial technopolymer in a glossy white finish, suitable for use in hospitals, nursing homes, schools and wherever cleanness and hygiene are essential. The effective silver-ion antibacterial treatment can reduce bacterial growth by 99% within 24 hours and has been verified by certified laboratory testing in accordance with standard ISO 22196 (analysis of major strains of Staphylococcus aureus and E. coli bacterial species).

Family	ONE	Description	4 modules
Colour	White	Material	Antibacterial tecnopolymer
Finishing	Glossy	For support codes	GW16804, GW16804N
Glow wire test	650 °C	Thermo-pressure with ball	70 °C
Standard	EN 60669-1; ISO 22196	Electrocod	0110



TECHNICAL SYMBOLOGY



STANDARDS/APPROVALS

