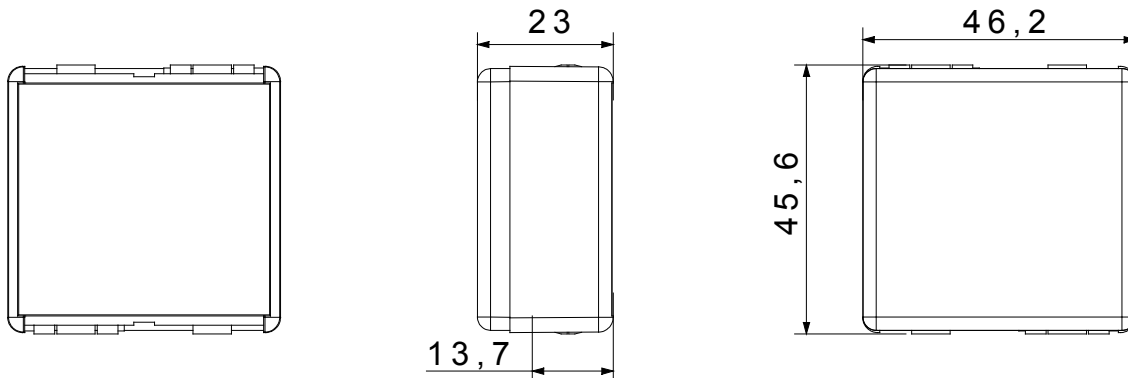




The System modular devices allow the creation of infinite combinations of devices and plates, through a complete range that covers all design, functional and installation needs. Colours and finishes: satin black, elegant and classy. The range includes control units, socket-outlets, breakers, indicators, connectors and devices for the control, safety and comfort of your home.

Kategorie	Blindmodul	Farbe	Schwarz
Beschreibung	2 Einsätze	Norm	EN 60669-1
Kugeldruckprüfung	125 °C	Glühdrahtprüfung	850 °C
Anz. SYSTEM Module	2	Material	Technopolymer
Electrocod	0100		

Abmessungen



Technische Symbole



Normen / Richtlinien

