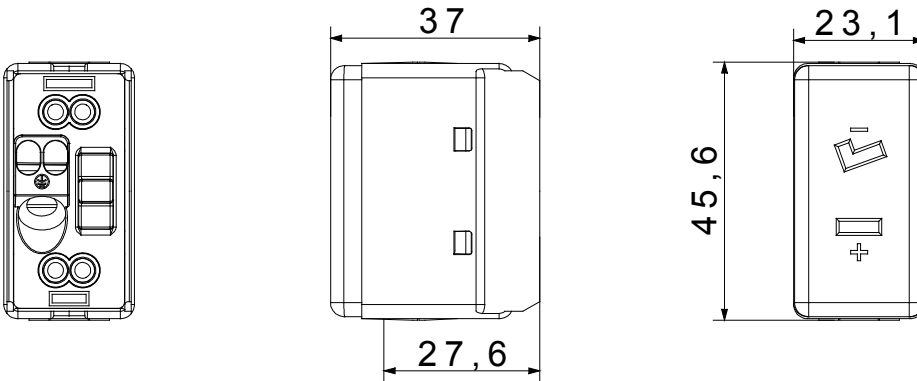




The System modular devices make it possible to create infinite combination between devices and plates, thanks to a complete range that is able to satisfy all design, functional and installation requirements. Colour and finiture: glossy white, bright and versatile  
The range includes commands, socket- outlets, protection, indicators, connectors and devices for the control, safety and comfort of your home.

Kategorie	-	Beschreibung	2P - 6A - 24 V polarisiert
Für Steckstifte	Flach	Abstand	12.4 mm
Kugeldruckprüfung	125 °C	Glühdrahtprüfung	850 °C
Anschluss feindrähtig (mm <sup>2</sup> )	min. 0,75 - max. 2x4	Anschluss massiv (mm <sup>2</sup> )	min. 0,5 - max. 2x2,5
Farbe	Weiss	Anz. SYSTEM Module	1
Kabelfixierung	Mit Schrauben	Material	Technopolymer
Electrocod	0131		

### Abmessungen



### Technische Symbole



### Normen / Richtlinien

