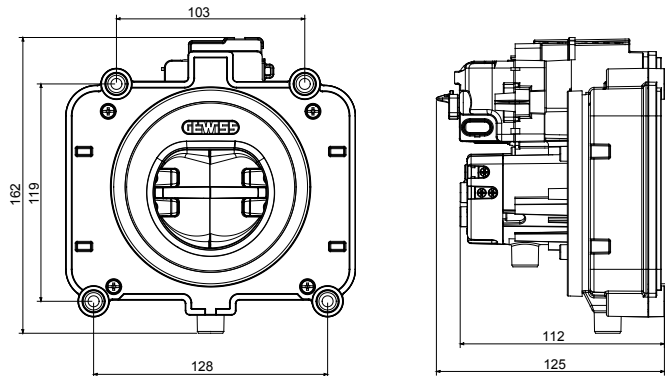




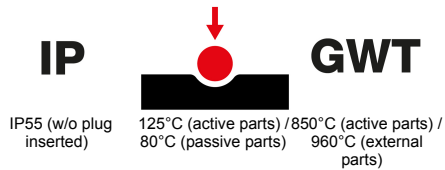
Type 2 socket, compliant to IEC 62196-1 and IEC 62196-2 regulations, made for IEC 618581 regulation compliant EV charging, equipped with security shutters (IPXXD protection), double drain system for water and a locking actuator that locks the plug during the charging session. Gate-valves are opened by the insertion of the plug in the socket; they are automatically closed as long as the plug is removed at the end of each charging session. This socket is equipped with three micro-contacts that check whether valves are opened or closed and whether locking actuator is engaged or not. Socket with rear cable entry.

Colour	Black	Electrical protection	IPXXD
Number of poles	7 (L1, L2, L3, N, PE, CP, PP)	Mechanical resistance	IK10
Rated current	32 A	IP degree	IP55 (w/o plug inserted)
Rated voltage	380-480 V (power supply) / 0-30 V (CP, PP)	Thermo-pressure with ball	125°C (active parts) / 80°C (passive parts)
Rated frequency (Hz)	50/60 Hz	Glow wire test	850°C (active parts) / 960°C (external parts)
<b>Locking actuator parameters</b>	-	Insulation voltage (Ui)	500 V
Voltage Range	9-15,5 V	Stocking temperature	-40°C ÷ +70°C
No load current	≤ 250 mA	Terminal tightening capacity stranded cables (mm²)	2,5-10 mm² (power supply) 0,75-1,5 mm² (CP, PP)
Working voltage	12 V	Operating temperature	-30°C ÷ +50 °C
Peak Current	3.2 A	MTTF	>10.000 insertions with no load
External self-extinguishing degree	V0 (UL94)		

### DIMENSIONAL



### TECHNICAL SYMBOLOGY



### STANDARDS/APPROVALS

