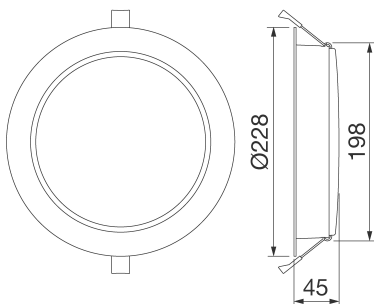




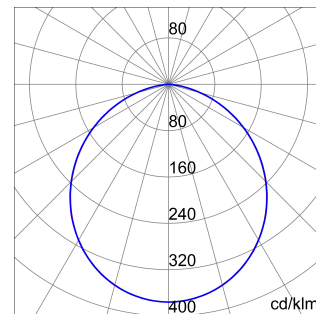
ELIA DL Flush-mounting LED downlight for lighting entrance areas, corridors and shared spaces, crafted from white power-coated die-cast aluminium with an opal diffusing shield. It is available in two power versions, with separate electronic power supply in the On/Off or DALI options provided as part of a kit, colour temperature of 4,000 K (neutral white) and colour rendering index of more than 80 or more than 90. ELIA DL has been designed to withstand temperature variations from -20°C to + 45°C, and offers protection from water and dust penetration of up to level IP54 and from shocks and impacts of up to level IK06. Light and easy to handle, ELIA DL is easy to install thanks to the connector for the electrical wiring and the quick, simple fin-locking mechanism.

| GENERAL INFORMATION | | OPTIC AND ILLUMINATING FEATURES | |
|---|-----------------------------------|-------------------------------------|--|
| Context | Interior lighting | Optic | Wide opal |
| Luminaire | LED luminaire for diffuse light | Unified Glare Rating | - |
| Application | Internal | Lumen output (lm) | 2600 |
| Unique digital code (Datamatrix) | Currently not present | Efficacy (lm/W) | 104 |
| Colour | White | Colour temperature | 4000 K |
| Type of light source | LED | Colour Rendering Index | CRI 80 |
| System power | 25 W | Standard Deviation Colour Matching | SDCM = 3 |
| LED Lifetime | L80B50 (Tq25°) = 50.000h | Photobiological Risk Class | RG0 |
| Weight (kg) | 0.8 | Standard | EN 60598-1; EN 60598-2-2; IEC/TR 62778; EN 62493 |
| Warranty | 5 years | ELECTRICAL AND LIGHTING FEATURES | |
| Stocking temperature | -20° +65° | Supply voltage | 220-240 V |
| Operating temperature | -20° +45° | Rated frequency (Hz) | 50 / 60 |
| MATERIALS | | Driver | External - Included |
| Body | Die-cast aluminium | Driver failure rate | F025 (Tq=25°C) = 50.000 h |
| Shield type | Polycarbonate | Overvoltage protection | DM 0,5 kV |
| Optic | Opalescent polycarbonate diffuser | Control System | DALI |
| Gasket | - | INSTALLATION AND MAINTENANCE | |
| Locking Hook | - | Mounting and installation | For flush-mounting |
| External screw | - | Tilt | - |
| Colour | Powder coating | Wiring | With connection terminal on driver |
| STANDARDS AND APPROVALS | | Fixing | Via springs integrated with the luminaire |
| Classification | - | Light source replaceability | Non-replaceable |
| Device with reduced surface temperature | - | Controlgear replaceability | By professional |
| DIN 18032-3 certification | Not available | Driver Box | - |
| IPEA | - | Maximum surface exposed to the wind | - |
| Insulation class | II | - | - |
| IP degree | IP40 - IP54 | - | - |
| Mechanical resistance | IK06 | - | - |
| Glow Wire Test | 650 °C | - | - |

DIMENSIONAL



PHOTOMETRIC DISTRIBUTION



TECHNICAL SYMBOLOGY



IK

IK06

IP40 - IP54

650 °C



Product Data Sheet
GWF1511MA840

ELIA DL - Downlight LED

STANDARDS/APPROVALS

